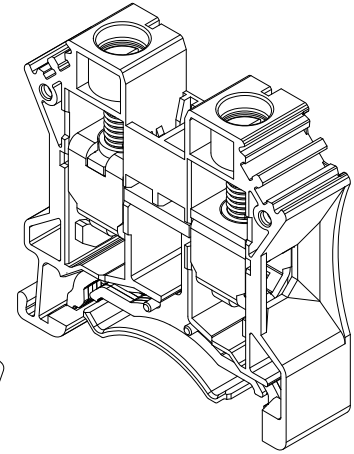
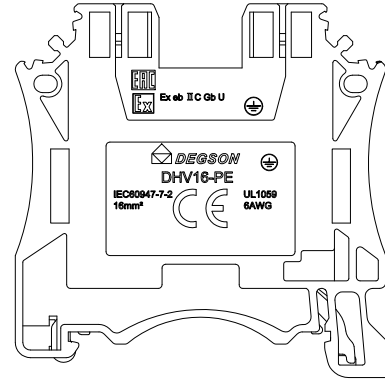
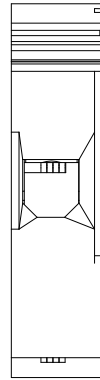
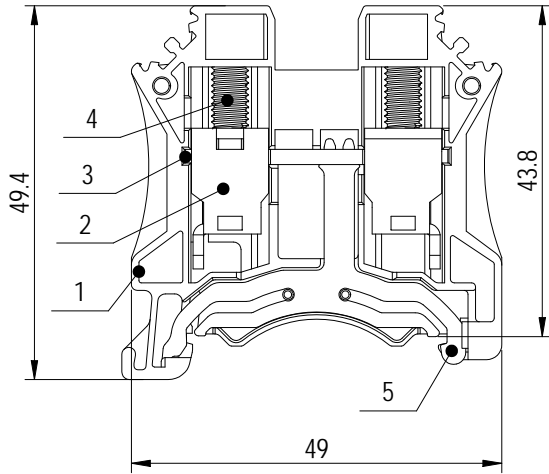
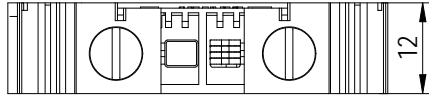


未注公差/General tolerances (mm)											0.1/10 ±2'		
0 ~ 3	>3 ~ 6	>6 ~ 10	>10 ~ 18	>18 ~ 30	>30 ~ 50	>50 ~ 80	>80 ~ 120	>120 ~ 180	>180 ~ 250	>250 ~ 315		>315 ~ 400	>400 ~ 500
±0.12	±0.18	±0.22	±0.26	±0.31	±0.37	±0.57	±0.80	±0.93	±1.05	±1.15	±1.60	±2.20	±2.50



UL 标准/UL Standard:	B	C	D
额定电压/电流/Rated Voltage(V)/ Current(A)	/	/	/
IEC 标准/IEC Standard:			
过压类别/Overtoltage Category/污染等级/Pollution Degree	III/3	/	/
额定电压/电流/Rated Voltage(V)/ Current(A)	/	/	/
额定脉冲电压(KV)/Rate Impulse Voltage(KV)	8	/	/
螺丝扭矩/Torque Tightening(N·m/Lb.in)	M5.2.5/22.2		
线径范围(硬线和软线)/Wire Range(rigid and flexible)(AWG/mm²)	14- 3/ 1.5- 25		
间距/Pitch(mm)/线数范围/Poles	12/N= 01P		
剥线长度/Stripping length(mm)	12- 13		
使用温度范围/Operating temperature(°C)	-40~ + 105		
符合RoHS环保要求/Conform to RoHS	Yes		
标准颜色编号/Standard color number: PANTONE/ RAL	/		

5	Grounding body	Copper alloy	Sn Plated
4	Screw	Steel	Zn Plated
3	Current carrier	Copper	Sn Plated
2	Cage	Steel	Zn Plated
1	Housing	PA66	UL94 V-0
ITEM	NAME OF PART	MATERIAL	NOTES



MATERIAL: /	SURFACE/COLOR: /
MAT NO./REV: /	MAT STATUS: 批量

APPD: Peng M	2024.01.04	NAME DHV16-PE-01P-1C-00Z (H)
CHKD: Lu JK	2024.01.04	
DRFT: Ye XD	2024.01.04	

00	/	New Product	Ye XD	2024.01.04	DRFT: Ye XD	2024.01.04	DRAWING NO. /	TYPE CUSTOMER DRAWING	DRAWING STATUS work	SCALE 1:1	SHEET 1/1
REV	ECN	DESCRIPTION	DRFT	DATE							

Transfer or duplication of this document as well as the utilization or communication of its contents are prohibited unless authorized in writing. All rights reserved for patent, utility model or design registrations. 除专利、实用新型、外观设计、软件著作权等权利外，本公司保留对涉及发明、实用新型及外观设计之专利、实用新型及外观设计之所有权利。