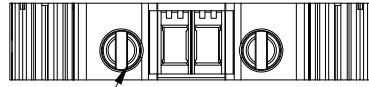
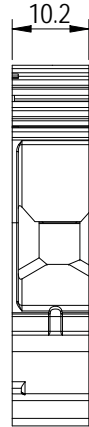


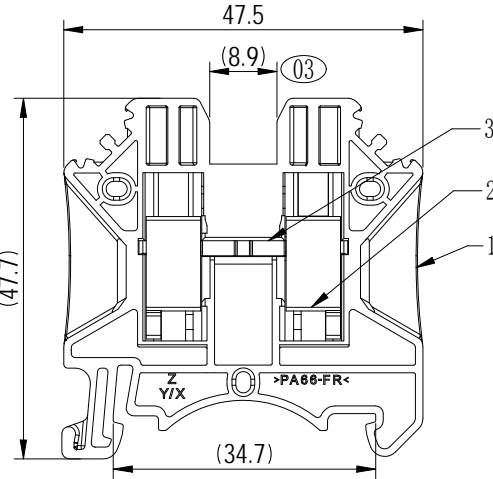
Transfer or duplication of this document as well as the utilization or communication of its content is prohibited unless authorized in writing. All rights reserved for patent. 除专利申明授权外，未经许可擅自复制或传播本文件内容，均属于侵权行为。本公司保留对涉及发明、实用新型及外观设计的所有权利。



4



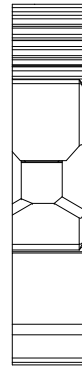
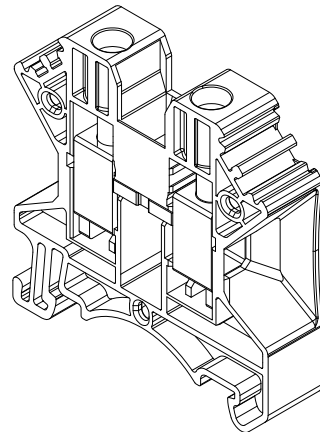
10.2



03

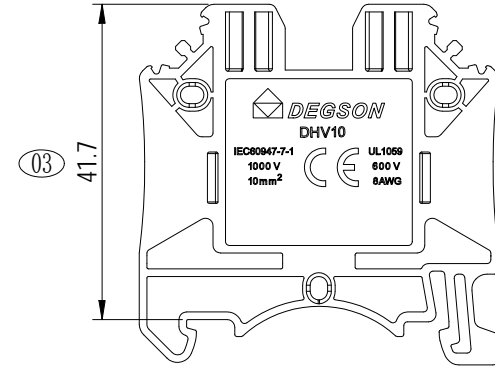
(47.7)

(34.7)



未注公差/General tolerances (mm)											0.1/10 ±2'			
0 ~ 3	>3 ~ 6	>6 ~ 10	>10 ~ 18	>18 ~ 30	>30 ~ 50	>50 ~ 80	>80 ~ 120	>120 ~ 180	>180 ~ 250	>250 ~ 315		>315 ~ 400	>400 ~ 500	>500
±0.12	±0.18	±0.22	±0.26	±0.31	±0.37	±0.57	±0.80	±0.93	±1.05	±1.15	±1.60	±2.20	±2.50	

ITEM	NAME OF PART	MATERIAL	NOTES
4	Screw	Copper Alloy	M4 Ni Plated
3	Current Carrier	Copper Alloy	Sn Plated
2	Cage	Copper Alloy	Ni Plated
1	Housing	PA66	UL94 V-0



03

41.7

UL 标准/UL Standard:	B	C	D
额定电压/电流/Rated Voltage(V)/Current(A)	600/30	600/30	/
IEC 标准/IEC Standard:			
过压类别/Overvoltage Category/污染等级/Pollution Degree	III/3	III/2	II/2
额定电压/电流/Rated Voltage(V)/Current(A)	1000/57	/	/
额定脉冲电压(KV)/Rate Impulse Voltage(KV)	8	/	/
额定扭矩/Rated Torque Tightening(N·m/Lb.in)	M4, 1.6/14.15		
螺丝扭矩范围/Torque Tightening Range(N·m/Lb.in)	M4, 1.5~ 1.8/13.2~ 15.97		
线径范围(硬线和软线)/Wire Range(rigid and flexible)(AWG mm²)	20~ 8/0.5~ 10.0 最大裸线: 6AWG 16mm²		
间距/Pitch(mm)/线数范围/Poles	10.2/NE 01P		
剥线长度/Stripping length(mm)	10~ 11		
环境温度(运行)/Ambient temperature (operation) (°C)	-60~ + 105(最高短期工作温度, 电气特性相对温度。)		
符合 RoHS 环保要求/Conform to RoHS	Yes		

DEGSON		MATERIAL:	SURFACE/COLOR:	
APPD: Peng M 2024. 11. 12		MAT NO./REV: 11010001115-1 / 00.01		MAT STATUS: 批量
CHKD: Lu JK 2024. 11. 12		NAME		
DRFT: Ye XD 2024. 11. 12		DHV10-01P-11-00Z (H)		
DRAWING NO.	TYPE	DRAWING STATUS	SCALE	SHEET
200170098	CUSTOMER DRAWING	work	2:1	1/1

REV	ECN	DESCRIPTION	DRFT	DATE	④	⑤	A4	(inch)
03		Adapt to bridgware DFBS	Ye XD	2024. 11. 12				