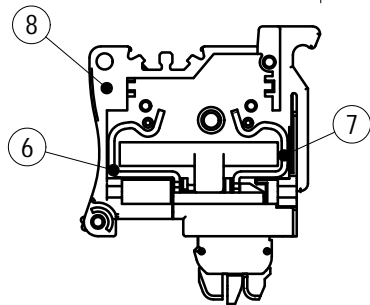
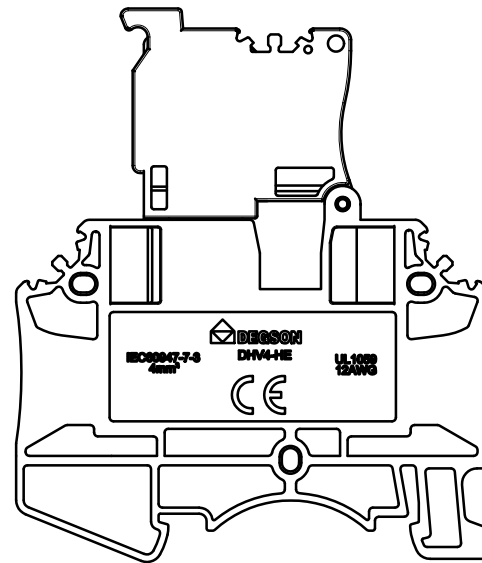
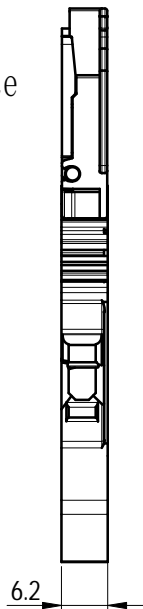
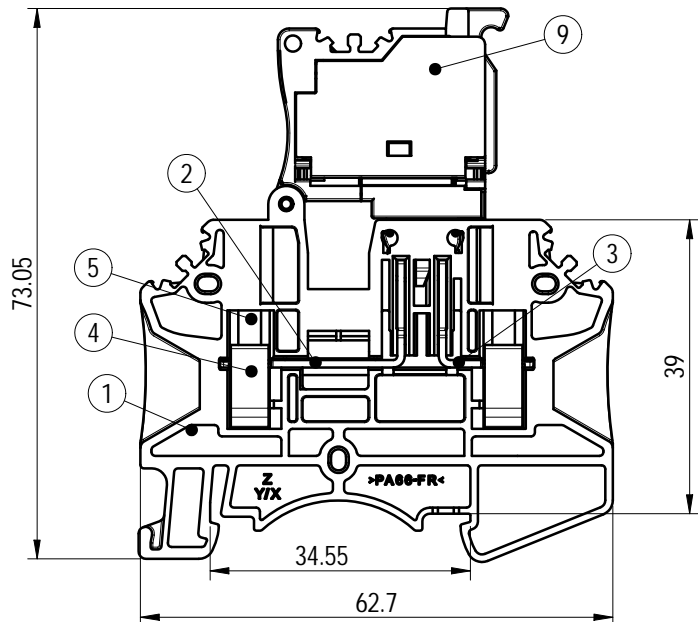


未注公差/General tolerances (mm)												0.1/10 ±2°	
0~3	>3~6	>6~10	>10~18	>18~30	>30~50	>50~80	>80~120	>120~180	>180~250	>250~315	>315~400		>400~500
±0.12	±0.18	±0.22	±0.26	±0.31	±0.37	±0.57	±0.80	±0.93	±1.05	±1.15	±1.60	±2.20	±2.50



View of fuse box without cover plate



ITEM	NAME OF PART	MATERIAL	NOTES
9	Cover	PA66	UL94V-0
8	Fuse Housing	PA66	UL94V-0
7	Current carrier 4	Copper alloy	Sn plated
6	Current carrier 3	Copper alloy	Sn plated
5	Screw	Copper alloy	Ni plated
4	Cage	Copper alloy	Ni plated
3	Current carrier 2	Copper alloy	Sn plated
2	Current carrier 1	Copper alloy	Sn plated
1	Housing	PA66	UL94V-0

UL 标准/UL Standard:	B	C	D
额定电压/电流/Rated Voltage(V)/Current(A)	600/10	600/10	/
IEC 标准/IEC Standard:			
过压类别/Overvoltage Category/污染等级/Pollution Degree	III/3	III/2	II/2
额定电压/电流/Rated Voltage(V)/Current(A)	500/6.3	/	/
额定脉冲电压(KV)/Rate Impulse Voltage(KV)	6	/	/
螺丝扭矩/Torque Tightening(N·m/Lb.in)	M3, (0.6-0.8)/(5.29-7.12)		
线径范围(硬线和软线)/Wire Range(rigid and flexible)(AWG/mm²)	26~12/0.14~4.0 最大裸线: 10AWG/6mm²		
间距/Pitch(mm)/线数范围/Poles	6.2/N=01P		
剥线长度/Stripping length(mm)	9~10		
使用温度范围/Operating temperature(°C)	-60~+105(最高短期工作温度, 电气特性相对温度。)		
符合RoHS环保要求/Conform to RoHS	Yes		
标准颜色编号/Standard color number: PANTONE / RAL	/		

00	/	New product	Huang RJ	2024.05.15
REV	ECN	DESCRIPTION	DRFT	DATE

		MATERIAL: /	SURFACE/COLOR: /	
		MAT NO./REV: /	MAT STATUS: 批量	
APPD: Peng M	2024.05.15	NAME		
CHKD: Gao WG	2024.05.15	DHV4-HE-01P-1Y-00Z (H)		
DRFT: Huang RJ	2024.05.15	DRAWING NO. /	TYPE Customer Drawing	DRAWING STATUS /
A4		SCALE 1:1	SHEET 1/1	

Transfer or duplication of this document as well as the utilization or communication of its contents are prohibited unless explicit authorization is granted. Violations will be liable for compensation. All rights reserved for patent. 除专利号明确标注外, 否则禁止转让、复制、利用、或在本文档文件的基础上, 以任何形式进行再发明、实用新型和发明专利的所有权利。