

特点

- 过零导通开关
- 负载电流: 2A、3A
- 控制电压: 5VDC、12VDC、24VDC
- 介质耐压: 4000Vrms
- TRIAC输出
- 内置RC
- 电路板安装方式
- 可选插座, 导轨安装
- 符合RoHS

Features

- Zero crossing Switching
- Load Current: 2A, 3A
- Control Voltage: 5VDC, 12VDC, 24VDC
- Internal RC Absorption Circuit
- Dielectric Strength: 4000Vrms
- TRIAC Output
- PCB Mounted
- Optional socket, rail mounting
- RoHS Compliant



DRPB-1C-SSR-DXX/AXX

常用继电器组合 Relay Combination Quickcheck

继电器 Relay	底座 Socket	套装输入 电压 Assembled Input Voltage	套装输出 电压 Assembled Output Voltage	套装输出 电流 Assembled Output Current	套装型号-螺钉 Assembled Model-Screw	套装型号-直插 Assembled Model-Push-in	导通时间 Turn-on Time	关断时间 Turn-off Time
DRPB-1C-SSR-D24/A240/3-09Z(H)	螺钉:DSRC08A-F3-00Z(H) 直插:DPRC08A-F3-00Z(H)	24VDC	240VAC	3A	DRPBS-1C-SSR-L-D24/A240/3-09Z(H)	DRPB-1C-SSR-L-D24/A240/3-09Z(H)	1/2cycle+1ms	1/2cycle+1ms

技术参数 General Specifications

输入参数 (Ta=25°C) Input Specifications (Ta=25°C)

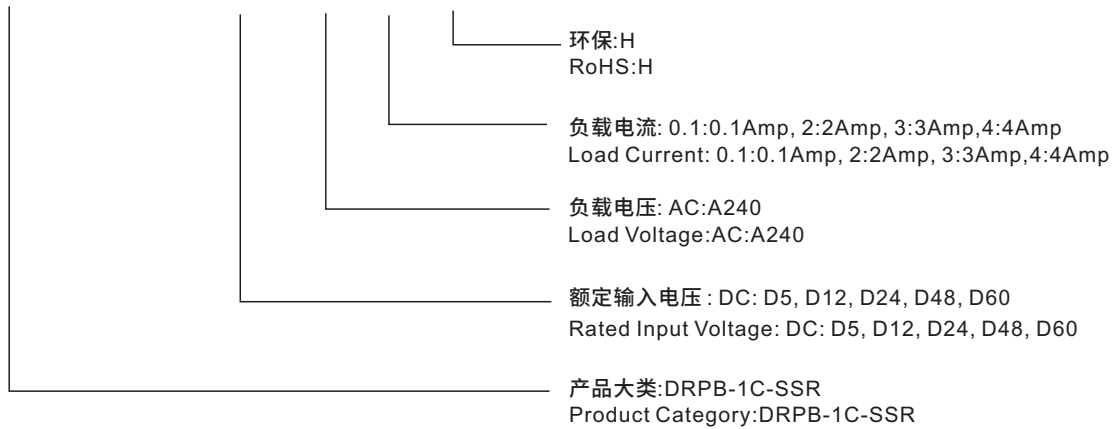
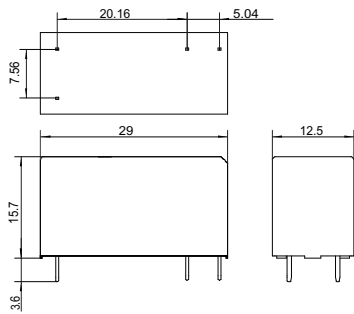
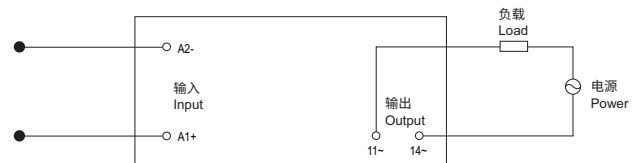
参数	DC5V	DC12V	DC24V
额定输入电压 Rated Input Voltage	DC5V	DC12V	DC24V
控制电压范围 Control Voltage Range	4-6VDC	9.6-14.4VDC	19.2-28.8VDC
确保导通电压 Must Turn-on Voltage	4VDC	9.6VDC	19.2VDC
确保关断电压 Must Turn-off Voltage	1VDC	1VDC	1VDC
最大控制电流 Maximum Input Current	25mA (@6VDC)	25mA (@14.4VDC)	25mA (@28.8VDC)
输入频率 Input Frequency	10Hz		

输出参数 (Ta=25°C) Output Specifications (Ta=25°C)

负载电压范围 Load Voltage Range	240VAC: 24V-280VAC	380VAC: 24V-440VAC
最大瞬态电压 Maximum Transient Overvoltage	240V: 600Vpk	380V: 800Vpk
负载电流范围 Load Current Range	2A: 0.01 - 2A	3A: 0.1 - 3A
最大导通时间 Maximum Turn-on Time	过零型: 1/2cycle+1ms Zero Crossing: 1/2cycle+1ms	
最大关断时间 Maximum Turn-off Time	1/2cycle+1ms	
最大浪涌电流(在10 ms内) Maximum Surge Current (@10 ms)	2A: 30Apk	3A: 120Apk
最大断态漏电流(在额定电压下) Maximum Off-State Leakage Current@Rated Load Voltage	5mA	
最大导通压降(在额定电流下) Maximum On-State Voltage Drop@Rated Current	1.5Vrms	
断态电压指数上升率dv/dt Minimum Off-State dv/dt @ Maximum Rated Voltage	200V/μs	
使用频率范围 Operational Frequency Range	47-63Hz	
最小功率因素 Minimum Power Factor (@ Maximum load)	0.5	

其他参数 (Ta=25°C) General Specifications (Ta=25°C)

介质耐压(输入-输出, 50Hz/60Hz) Dielectric Strength (50/60Hz)	4000Vrms
绝缘电阻(@500VDC) Minimum Insulation Resistance (@500VDC)	1000MΩ
工作温度范围 Ambient Temperature Range	-30°C ~ +80°C
储存温度范围 Storage Temperature Range	-30°C ~ +100°C
重量(典型值) Weight (Typical)	15g

型号订购 Model Order
DRPB-1C-SSR-D24/A240/3-09Z(H)

外形尺寸图 Overall Dimensions
DRPB-1C-SSR

接线图 Wiring Diagrams
DRPB-1C-SSR

温度曲线 Thermal Derating Curve
