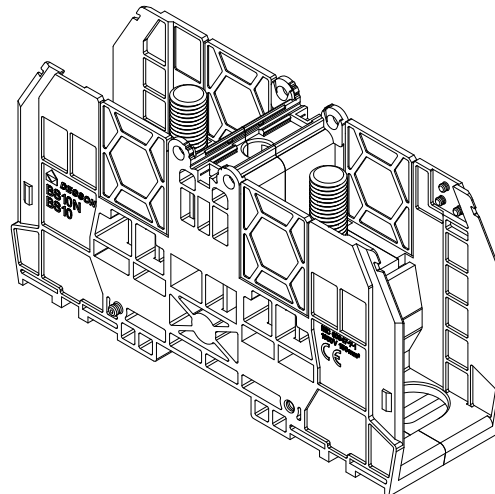
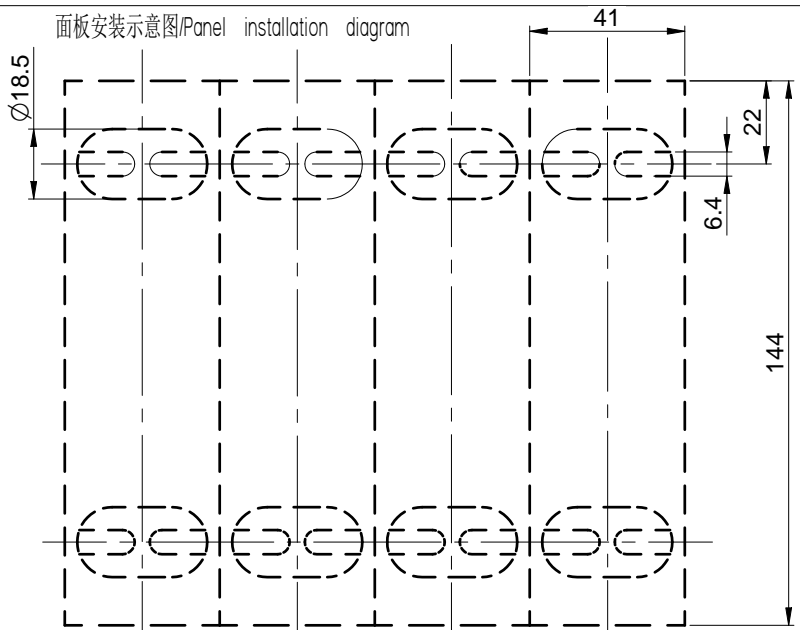


未注公差/General tolerances (mm)												0.1/10 ±2'		
0	>3	>6	>10	>18	>30	>50	>80	>120	>180	>250	>315		>400	>500
±0.12	±0.18	±0.22	±0.26	±0.31	±0.37	±0.57	±0.80	±0.93	±1.05	±1.15	±1.60	±2.20	±2.50	

面板安装示意图/Panel installation diagram



ITEM	NAME OF PART	MATERIAL	NOTES
6	Nut	Steel	M10/Zn Plated
5	Bolt	Steel	M10/Zn Plated
4	Lock Washer	Steel	M10/Zn Plated
3	Current carrier	Copper	Sn Plated
2	Mounting Bar	PA66	UL94V-0
1	Housing	PA66	UL94V-0

UL 标准/UL Standard:	B	C	D
额定电压/电流/Rated Voltage(V)/Current(A)	600/310	/	/
IEC 标准/IEC Standard:			
过压类别/Ovoltage Category/污染等级/Pollution Degree	III/3	III/2	II/2
额定电压/电流/Rated Voltage(V)/Current(A)	1000/309	/	/
额定脉冲电压(KV)/Rate Impulse Voltage(KV)	8	/	/
螺栓扭矩/Torque Tightening(N·m/Lb.in)	M10, 10/20/113-226		
固定螺钉规格/Fixing Screw Specifications	M6		
线径范围(硬线和软线)/Wire Range(rigid and flexible)(AWG/mm <sup>2</sup> )	10-350 / 6-150		
间距/Pitch(mm)/线数范围/Poles	41/N-01P		
剥线长度/Stripping length(mm)	Depends on Cold pressing		
使用温度范围/Operating temperature(°C)	-40~+105		
符合RoHS环保要求/Conform to RoHS	Yes		

**DEGSON**

APPD: Li GL 2022.09.28  
 CHKD: Ma EK 2022.09.27  
 DRFT: Yan H 2022.09.27

MATERIAL: SURFACE/COLOR:  
 MAT NO./REV: / MAT STATUS: 批量

NAME: **BS10 N-YY**

00	NEW DRAWING	Yan H	2022.09.27	DRAWING NO.	TYPE	DRAWING STATUS	SCALE	SHEET
REV	ECN	DESCRIPTION	DRFT	DATE	A4	200098746	2:1	1/1

Transfer or duplication of this document as well as the utilization or communication of its content are prohibited unless express approval is granted. Violations will be treated as copyright infringement. All rights reserved for patent, utility model or design registrations. 除专利、实用新型、外观设计、软件著作权等权利外，本公司保留对涉及发明、实用新型和外观设计的所有权利。