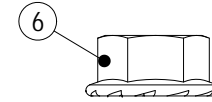
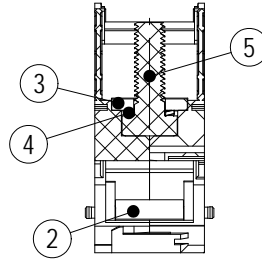
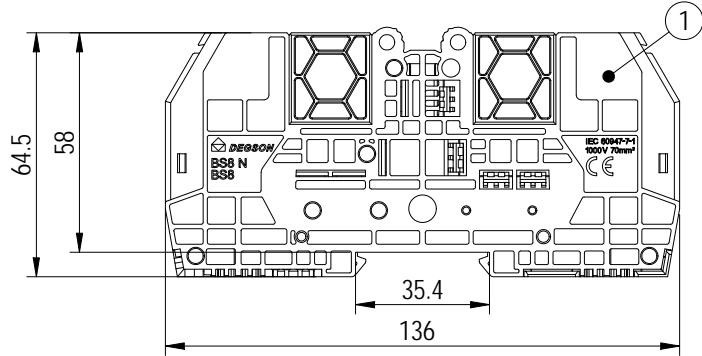
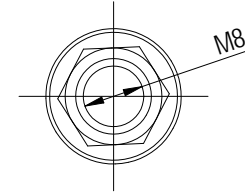
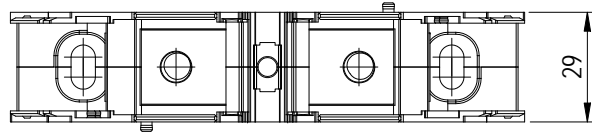
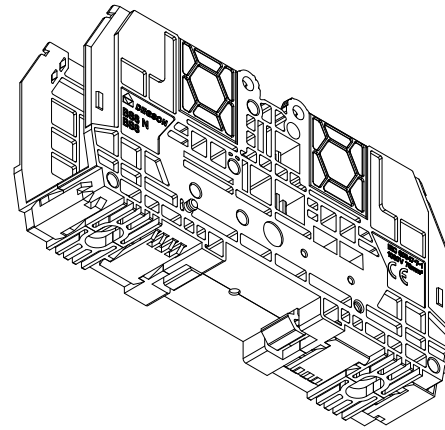
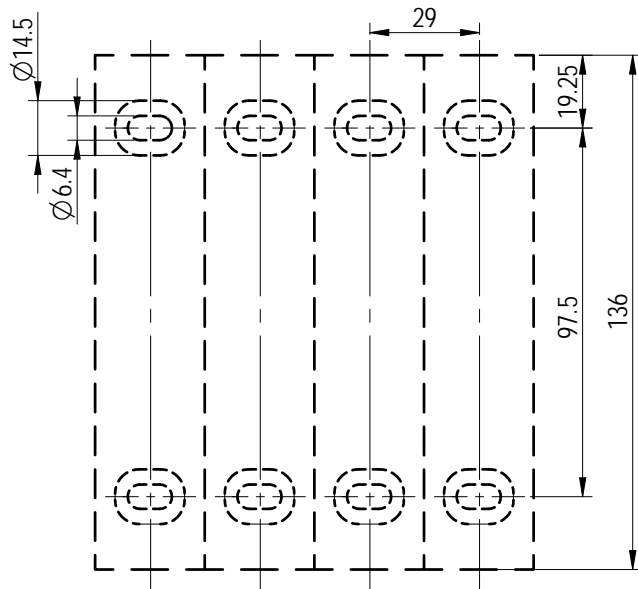


未注公差/General tolerances (mm)											0.1/10 ±2'		
0	>3	>6	>10	>18	>30	>50	>80	>120	>180	>250		>315	>400
~3	~6	~10	~18	~30	~50	~80	~120	~180	~250	~315	~400	~500	>500
±0.12	±0.18	±0.22	±0.26	±0.31	±0.37	±0.57	±0.80	±0.93	±1.05	±1.15	±1.60	±2.20	±2.50



面板安装示意图/Panel installation diagram



ITEM	NAME OF PART	MATERIAL	NOTES
6	Nut	Steel	M8/Zn Plated
5	Bolt	Steel	M8/Zn Plated
4	Lock Washer	Steel	M8/Zn Plated
3	Current carrier	Copper	Sn Plated
2	Mounting Bar	PA66	UL94V-0
1	Housing	PA66	UL94V-0

UL 标准/UL Standard:	B	C	D
额定电压/电流/Rated Voltage(V)/Current(A)	600/175	/	/
IEC 标准/IEC Standard:			
过压类别/Overvoltage Category/污染等级/Pollution Degree	III/3	III/2	II/2
额定电压/电流/Rated Voltage(V)/Current(A)	1000/192	/	/
额定脉冲电压(KV)/Rate Impulse Voltage(KV)	8	/	/
螺栓扭矩/Torque Tightening(N·m/Lb.in)	M8, 6-12/67.3-135.6		
固定螺钉规格/Fixing Screw Specifications	M6		
线径范围(硬线和软线)/Wire Range(rigid and flexible)(AWG/mm²)	16-2/0 / 2.5-70		
间距/Pitch(mm)/线数范围/Poles	29/N=01P		
剥线长度/Stripping length(mm)	Depends on Cold pressing		
使用温度范围/Operating temperature(°C)	-40~+105		
符合RoHS环保要求/Conform to RoHS	Yes		

DEGSON

APPD: Li GL 2022.09.27
 CHKD: Ma EK 2022.09.27

MATERIAL: SURFACE/COLOR:
 MAT NO./REV: / MAT STATUS: 批量

NAME: **BS8 N-YY**

REV	ECN	DESCRIPTION	DRFT	DATE	DRAWING NO.	TYPE	DRAWING STATUS	SCALE	SHEET
00		NEW DRAWING	Yan H	2022.09.27	200098786	CUSTOMER DRAWING	已发布	2:1	1/1

Transfer or duplication of this document as well as the utilization or communication of its content are prohibited unless explicitly authorized in writing by DEGSON. All rights reserved for patent. 除专利等明确授权外，未经许可，不得复制或传播本文件内容。本公司保留对涉及发明、实用新型和外观设计的所有权利。