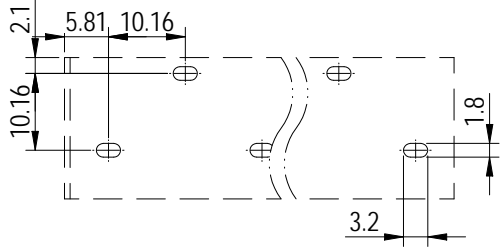
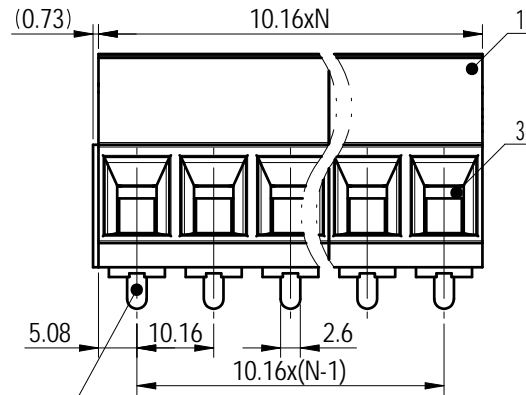
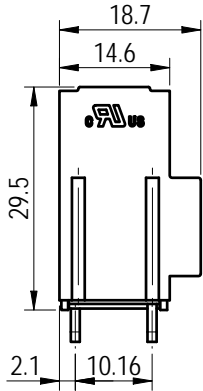
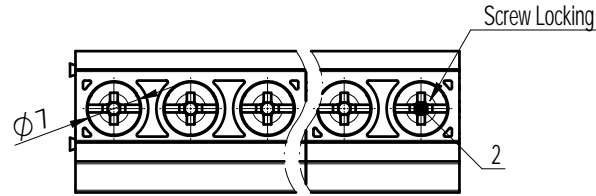
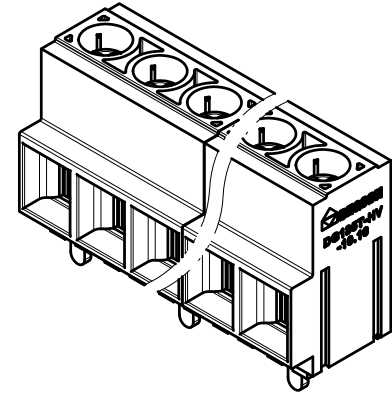


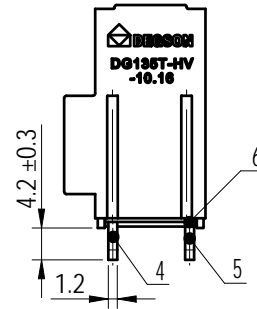
PCB LAYOUT



未注公差/General tolerances (mm)											0.1/10			
0 ~ 3	>3 ~ 6	>6 ~ 10	>10 ~ 18	>18 ~ 30	>30 ~ 50	>50 ~ 80	>80 ~ 120	>120 ~ 180	>180 ~ 250	>250 ~ 315		>315 ~ 400	>400 ~ 500	>500
±0.12	±0.18	±0.22	±0.26	±0.31	±0.37	±0.57	±0.80	±0.93	±1.05	±1.15	±1.60	±2.20	±2.50	±2'



The first foot from the left side is front foot



ITEM	NAME OF PART	MATERIAL	NOTES
6	Cover	PA66	UL94V-0
5	Pin header 2	Copper alloy	Sn plated
4	Pin header 1	Copper alloy	Sn plated
3	Cage	Copper alloy	M4.5/Ni Plated
2	Screw	Stainless steel	M4.5
1	Housing	PA66-GF	UL94V-0

UL 标准/UL Standard:		B	C	F(III/2)
额定电压/电流/Rated Voltage(V)/Current(A)		300/52	/	600/52
IEC 标准/IEC Standard:				
过压类别/Ovenvoltage Category/污染等级/Pollution Degree		III/2		
额定电压/电流/Rated Voltage(V)/Current(A)		750/57		
工频耐压/Withstanding voltage(V/1Min)		AC3000		
螺丝扭矩/Torque Tightening(N·m/Lb.in)		M4.5, 1.8/16		
线径范围(硬线和软线)/Wire Range(rigid and flexible)(AWG/mm²)		20~6 / 4.0~10.0		
间距/Pitch(mm)/线数范围/Poles		10.16/N=02~12P		
剥线长度/Stripping length(mm)		10~11		
使用温度范围/Operating temperature(°C)		-40~+105		
符合RoHS环保要求/Conform to RoHS		Yes		

		MATERIAL:		SURFACE/COLOR:	
		MAT NO./REV: / 01		MAT STATUS: 批量	
APPD: 兰春华	2024.09.24	NAME			
CHKD: 陈招	2024.09.24	DG135T-HV-10.16-XXP-1Y-3020Z(H)			
DRFT: 唐本恒	2024.09.24	DRAWING NO.	TYPE	DRAWING STATUS	SCALE
		200036341	CUSTOMER DRAWING	已发布	1:1
					SHEET 1/1

REV	ECN	DESCRIPTION	DRFT	DATE
03		1x 修改盖板脚位高度,改善盖板高于零件底面	唐本恒	2024.09.24

Transfer or duplication of this document as well as the utilization or communication of its contents are prohibited unless explicit authorization is granted. Violations will be liable for compensation. All rights reserved for patent, utility model or design registrations. 除专利等明确授权外,复制、翻译、分发本文件中的内容,侵犯专利及设计权,侵权者将承担法律责任。本公司保留国内外的所有权利。