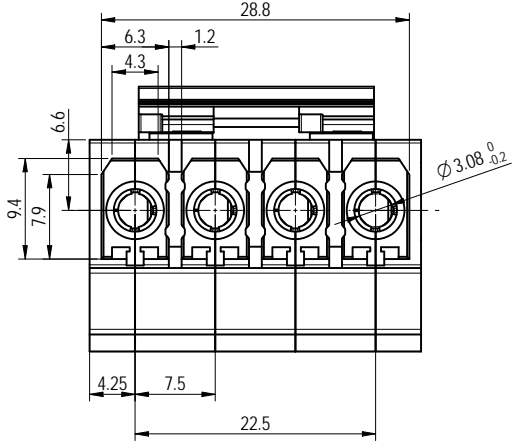
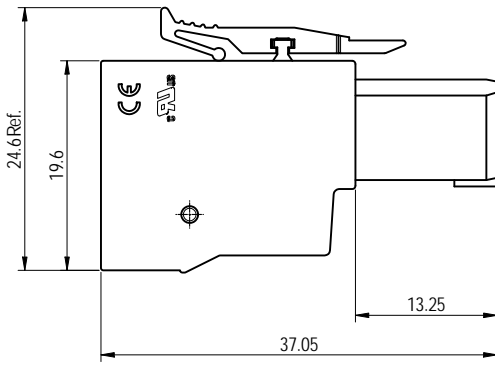
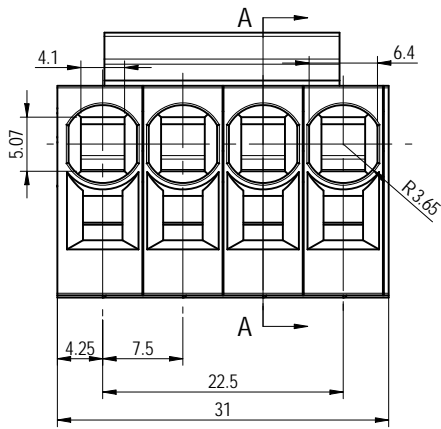
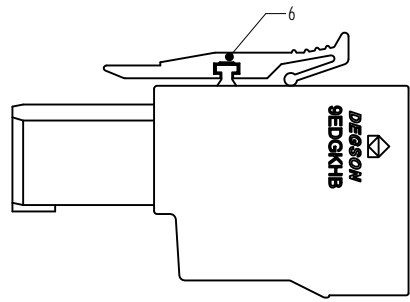
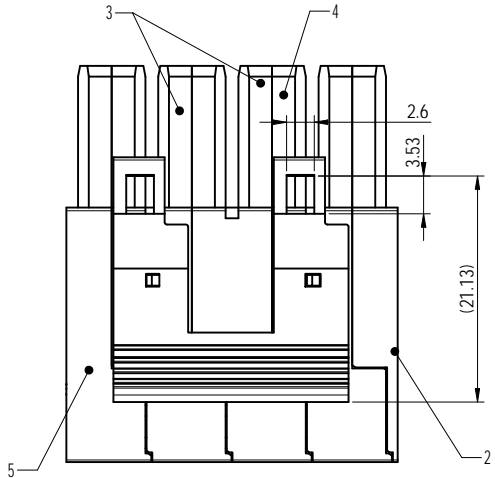
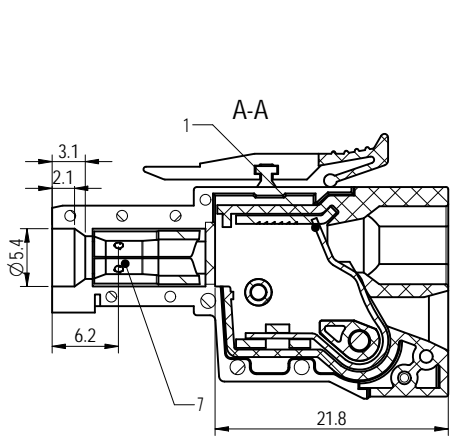


公差表(General tolerances)(mm)														
0	>3	>6	>10	>18	>30	>50	>80	>120	>180	>250	>315	>400	>500	0.1/10 ±2
3	6	10	18	30	50	80	120	180	250	315	400	500		
±0.12	±0.18	±0.22	±0.26	±0.31	±0.37	±0.57	±0.80	±0.93	±1.05	±1.15	±1.60	±2.20	±2.50	
UL 标准/UL Standard														
额定电压/电流/Rated Voltage(V)/ Current(A)														
B														
C														
D														
600/40														
600/40														
600/5														
IEC 标准/IEC Standard														
过压类别/Overvoltage Category/污染等级/Pollution Degree														
III/3														
III/2														
II/2														
额定电压/电流/Rated Voltage(V)/ Current(A)														
600/35														
1000/35														
1000/35														
额定脉冲电压(KV)/Rate Impulse Voltage(KV)														
8														
8														
8														
线径范围(硬线和软线)/Wire Range(rigid and flexible)(AWG)														
24- 8														
剥线长度/Stripping length(mm)														
14- 15														
使用温度范围/Operating temperature(°C)														
-40- +105														
符合RoHS环保要求/Conform to RoHS														
Yes														



7	Clamp	Copper alloy	Sn Plated
6	Clasp	PA66	UL94V-0
5	Left housing	PA66	UL94V-0
4	Mid housing1	PA66	UL94V-0
3	Mid housing2	PA66	UL94V-0
2	Right housing	PA66	UL94V-0
1	Spring	Stainless steel	/
ITEM	NAME OF PART	MATERIAL	NOTES

DEGSON MATERIAL: SURFACE/COLOR: MAT NO./REV: - / 01 MAT STATUS: 批量

APPD: 兰春华 2024.05.27 NAME: 9EDGKHB-7.5-04P-1Y-00Z(H)

CHKD: 黄耀志 2024.05.27

DRFT: 陈地辉 2024.05.27

DRAWING NO. TYPE CUSTOMER DRAWING DRAWING STATUS SCALE SHEET

200279621 CUSTOMER DRAWING 已发布 1:1 1/1

00		1s, Clamp increase the convex points, change the material	周保德	2024.05.27
REV	ECN	DESCRIPTION	DRFT	DATE

Transfer or duplication of this document as well as the utilization of its contents without the written consent of DEGSON is prohibited. All rights reserved for patent. 此文件及其内容之复制或未经 DEGSON 书面同意之利用均被禁止。所有权利保留。如有侵权，DEGSON 将依法追究法律责任。