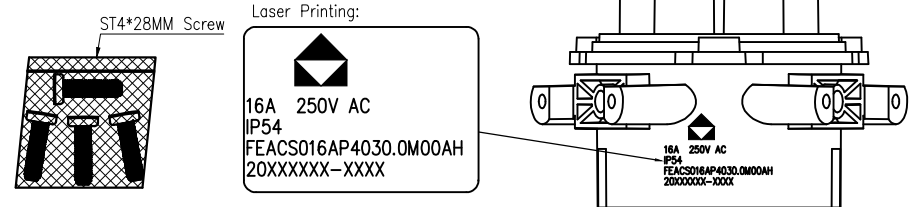
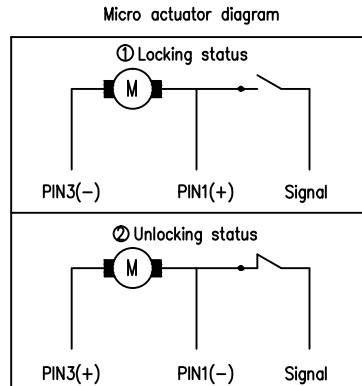
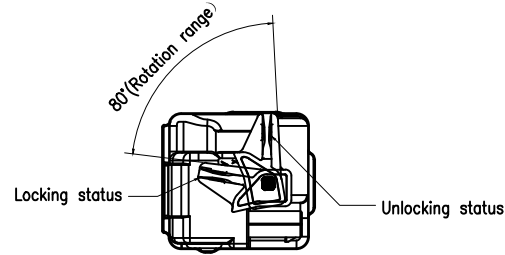
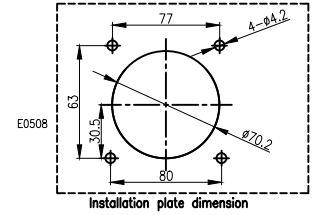
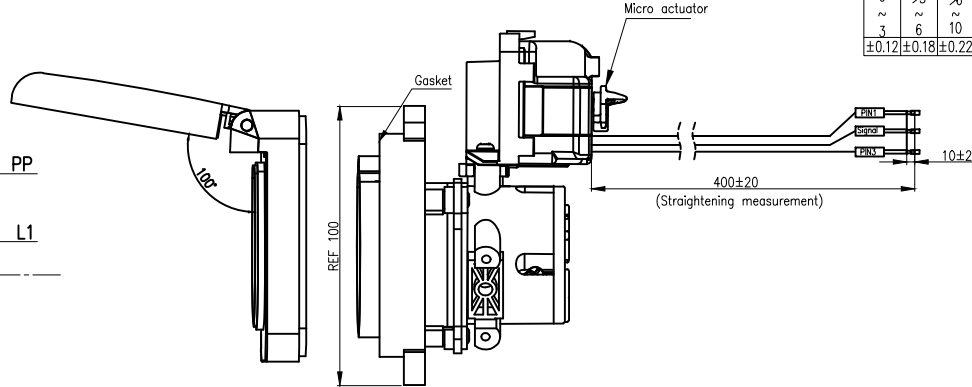
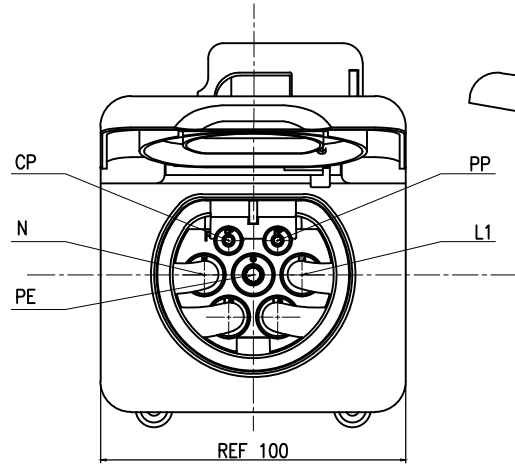


未注公差/General tolerances(mm)											0.1/10		
0	>3	>6	>10	>18	>30	>50	>80	>120	>180	>250			
±0.12	±0.18	±0.22	±0.26	±0.31	±0.37	±0.57	±0.80	±0.93	±1.05	±1.15	±1.60	±2.20	±2.50

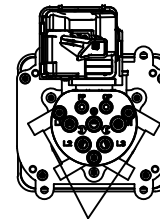


Connection Mode:

L1	Red (2.5mm <sup>2</sup> )	L1
N	Blue (2.5mm <sup>2</sup> )	N
PE	Yellow/Green (2.5mm <sup>2</sup> )	PE
PP	Black (0.75mm <sup>2</sup> )	PP
CP	Red (0.75mm <sup>2</sup> )	CP
NTC	White (28AWG)	T1
	White (28AWG)	T2
Micro Actuator	Green (18AWG)	PIN1
	Blue (18AWG)	PIN2 (Signal)
	Red (18AWG)	PIN3



Micro actuator parameters:  
 Rated Voltage: DC 12V  
 Operating Voltage : 9-15.5 V  
 Current consumption: <2.4A  
 Reactive Time: 40ms < t < 200ms  
 ① PIN 1 +, PIN3 -: The switch will be disconnected in Locking status  
 ② PIN 1 -, PIN3 +: The switch will be connected in unlocking status  
 PIN 2: signal  
 H -Bridge is necessary for polarity change



Micro actuator can be installed

额定电压/Rated voltage/Current	250V AC/16A
绝缘电阻/Insulation resistance	>100MΩ,500V DC 1min
耐压/Withstanding voltage	L、N and PE ,2500V AC 1min L and N ,2500V AC 1min
防护等级/Ingress protection	IP54
插拔寿命/Insertion/Pullout times	10,000 times
插拔力/Insertion/Pullout force	<100N
使用温度范围/Operating temperature(°C)	-30~+50
标准/Reference standard	IEC 62196-2:2016
符合RoHS环保要求/Conform to RoHS	Yes

		MATERIAL:	SURFACE/COLOR:	
APPD: Ye DB 2024.09.13		MAT NO/REV:	D0-1 MAT STATUS:	
CHKD: Dong RT 2024.09.13		NAME FEAC-S-016A-P4-03-0.0M-00A(H)		
DRFT: Rong QX 2024.09.13		DRAWING NO.	TYPE	DRAWING STATUS
A4		CUSTOMER DRAWING		SCALE
				SHEET
				1/1

REV	ECN	DESCRIPTION	DRFT	DATE