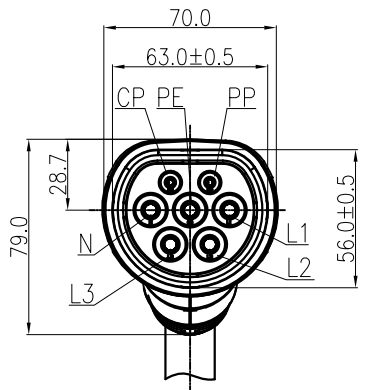
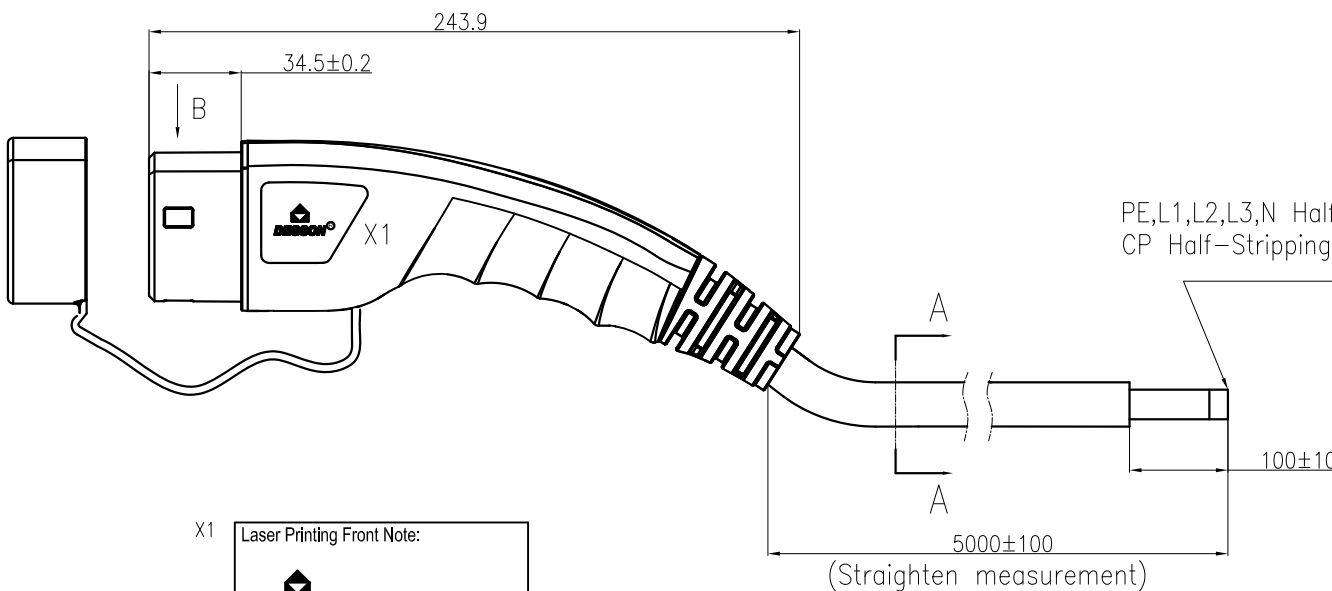
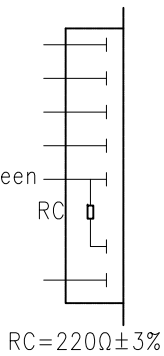


未注公差/General tolerances(mm)											0.1/10 ±2'		
0	>3	>6	>10	>18	>30	>50	>80	>120	>180	>250		>315	>400
±0.12	±0.18	±0.22	±0.26	±0.31	±0.37	±0.57	±0.80	±0.93	±1.05	±1.15	±1.60	±2.20	±2.50



Wiring diagram

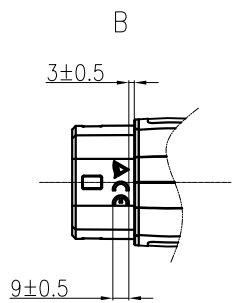
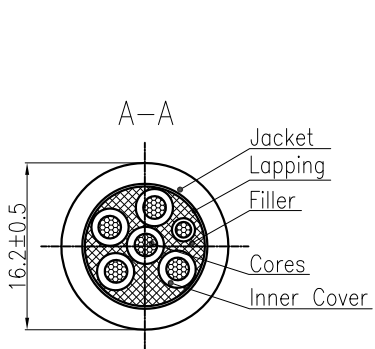
- L1 6mm² Brown
- L2 6mm² Black
- L3 6mm² Gray
- N 6mm² Blue
- PE 6mm² Yellow/Green
- PP
- CP 0.75mm² Red



PE,L1,L2,L3,N Half-Stripping 10mm,
CP Half-Stripping 8mm

X1

Laser Printing Front Note:
Laser Printing Back Note(Arial):
MEAC-T-032A-V1-03-5.0M-30AH
32A 480V AC
IEC 62196-2:2016
IP54
20xxxxxx-xxxx



额定电压电流/Rated voltage/Current	480V AC/32A
绝缘电阻/Insulation resistance	>100MΩ,500V DC 1min
耐压/Withstanding voltage	L、N and PE ,2500V AC 1min L and N ,2500V AC 1min
防护等级/Ingress protection	IP54
插拔寿命/Insertion/Pullout times	10,000 Times
插拔力/Insertion/Pullout force	<100N
使用温度范围/Operating temperature(°C)	-30~+50
线材规格/Cable specification	5*6mm ² +1*0.75mm ² Black
标准/Reference standard	IEC 62196-2:2016
符合RoHS环保要求/Conform to RoHS	Yes

		MATERIAL:	SURFACE/COLOR:
APPD: Ye DB	2024.09.14	MAT NO/REV: DO-1	MAT STATUS:
CHKD: Dong RT	2024.09.14	NAME MEAC-T-032A-V1-03-5.0M-30A(H)	
DRFT: Hu MY	2024.09.14	DRAWING NO.	TYPE CUSTOMER DRAWING
A4		DRAWING STATUS	SCALE 1:3
			SHEET 1/1

REV	ECN	DESCRIPTION	DRFT	DATE

Transfer or duplication of this document as well as the utilization or common practice of its contents are prohibited unless authorized in writing. All rights reserved for patent, copyright, trademark, or other intellectual property rights. The information in this document is for reference only. The information in this document is for reference only. The information in this document is for reference only.