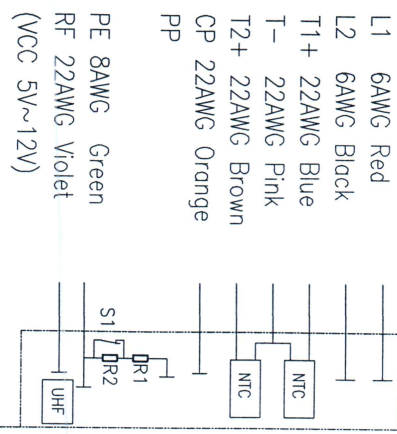
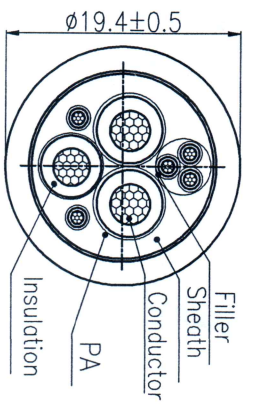


Wiring diagram



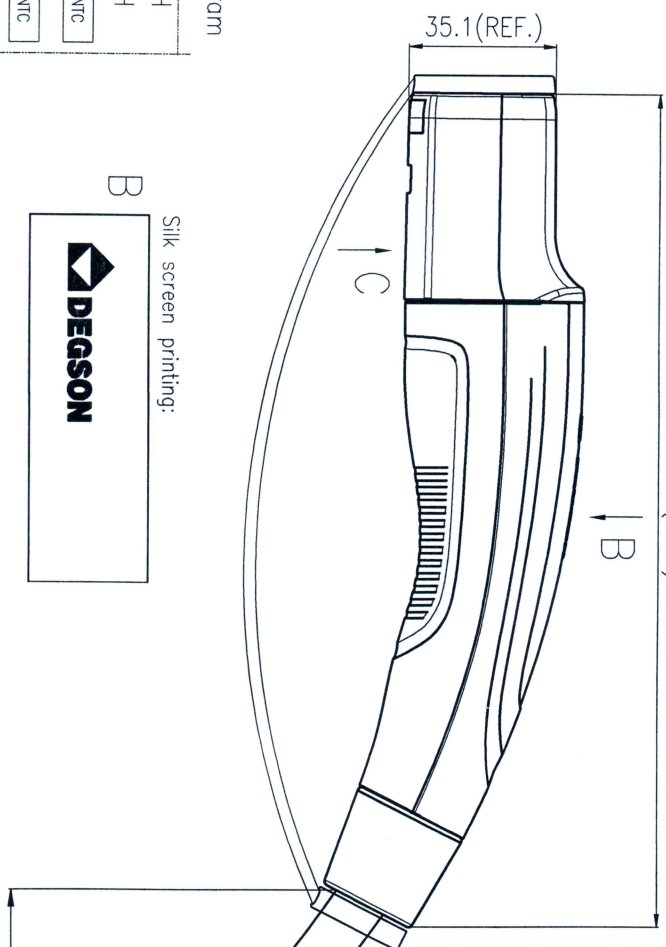
- L1 6AWG Red
- L2 6AWG Black
- T1+ 22AWG Blue
- T- 22AWG Pink
- T2+ 22AWG Brown
- CP 22AWG Orange
- PP
- PE 8AWG Green
- RF 22AWG Violet (VCC 5V~12V)

R1 = 150Ω ± 10%  
R2 = 330Ω ± 10%



A-A

194.3(REF.)



Silk screen printing:

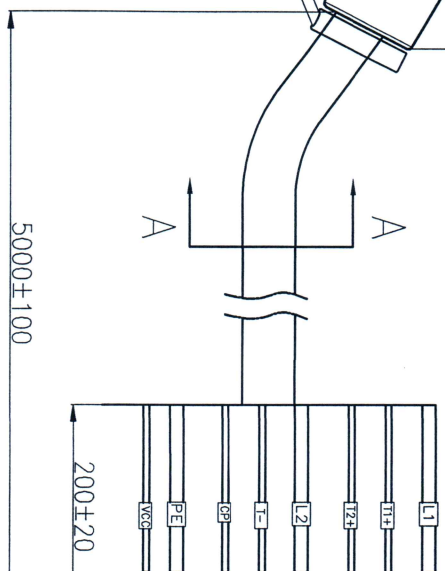


Laser Printing Note:

UL NO.: E505319  
MTAC-S-080A-V5-03-5.0M-10AH  
80A 240V AC  
TYPE 3R  
OP:-40~+50°C  
20xxxxxx-xxxx

公差/General tolerances(mm)		0	>3	>6	>10	>18	>30	>50	>80	>120	>180	>250	>315	>400	>500	0.1/10
±0.12	±0.18	±0.22	±0.26	±0.31	±0.37	±0.57	±0.80	±0.93	±1.05	±1.15	±1.60	±2.20	±2.50	±7	±7	±7

L1/L2/PE Half-Stripping 10mm  
CP/T1+/T2+/T- /RF Half-Stripping 8mm



(Straightening measurement)

额定电压/Rated voltage/Current	240V AC/80A
绝缘电阻/Insulation resistance	>100MΩ, 500V DC 1min
耐压/Withstanding voltage	L1, L2 and PE 2500V AC 1min L and L2 2500V AC 1min
防护等级/Ingress protection	TYPE 3R
插拔寿命/Insertion/Pullout times	10,000 Times
插拔力/Insertion/Pullout force	<90N
使用温度范围/Operating temperature(°C)	-40 ~ +50
线材规格/Cable specification	2*6AWG+1*8AWG+5*22AWG Black
标准/Reference standard	NAOS.U1251
符合RoHS环保要求/Conform to RoHS	Yes



APPD	2024.10.31	CHKD	2024.10.31
REV	1	DATE	2024.10.31

DO-1	REV	ECN	DESCRIPTION	DFT	DATE
1	1			Q	2024.10.31

NAME	MTAC-S-080A-V5-03-5.0M-10A(H)
DRAWING NO.	CUSTOMER DRAWING
DRAWING STATUS	SCALE
1:3	1/1