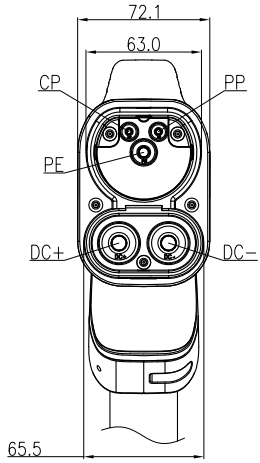
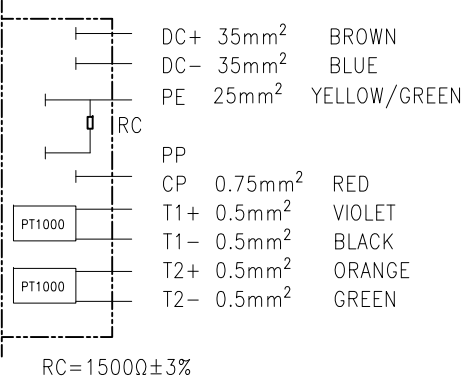
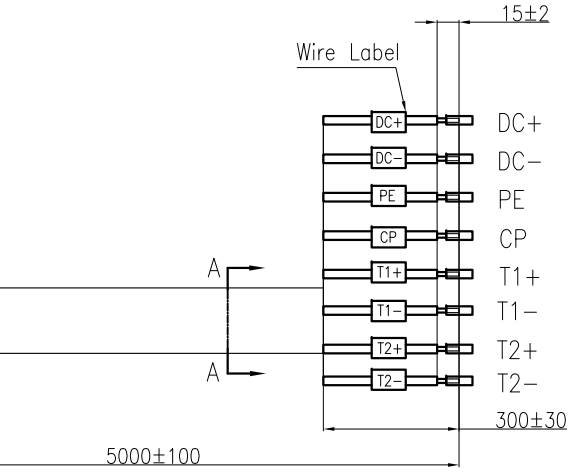
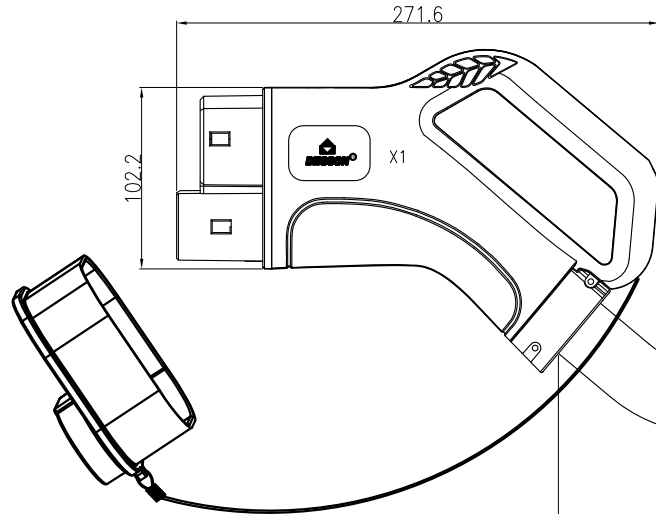


未注公差/General tolerances(mm)													
0	>3	>6	>10	>18	>30	>50	>80	>120	>180	>250	0.1/10 ±2'		
~3	~6	~10	~18	~30	~50	~80	~120	~180	~250	~500			
±0.12	±0.18	±0.22	±0.26	±0.31	±0.37	±0.57	±0.80	±0.93	±1.05	±1.15	±1.60	±2.20	±2.50



Wiring diagram



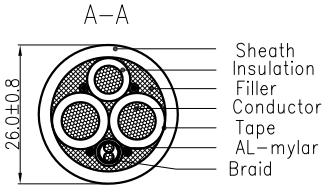
X1

Laser Printing Front Note:

Laser Printing Back Note(Arial):

MEDC-T-125A-V-03-5.0M-30AH
 125A 1000V DC
 IEC 62196-3:2022
 IP54
 20xxxxxx-xxxx

额定电压/Rated voltage	1000V DC;125A
电流/Current	>500mA;1000V DC 1min
绝缘电阻/Insulation resistance	DC+, DC- and PE, 3500V AC 1min
耐压/Withstanding voltage	DC+ and DC- 3500V AC 1min
	PP and CP 1500V AC 1min
防护等级/Ingress protection	IP54
插拔寿命/Insertion/Pullout times	10,000 Times
插拔力/Insertion/Pullout force	<100N
使用温度范围/Operating temperature(°C)	-30°C~+50°C
线材规格/Cable specification	2*35mm²+1*25mm²+P(2*0.75)+4*0.5 Black
标准/Reference standard	IEC 62196-3:2022
符合RoHS环保要求/Conform to RoHS	Yes



REV	ECN	DESCRIPTION	DRFT	DATE
00-3		Update the drawing	Hu MY	2024.09.13
00-2		Update the drawing	Hu MY	2023.09.21

NO.	DESCRIPTION	MATERIAL NO.	QTY	MATERIAL	NOTES
		MATERIAL:		SURFACE/COLOR:	
		MAT NO/REV:	D0-3	MAT STATUS:	
APPD:	Ye DB	2024.09.13			
CHKD:	Dong RT	2024.09.13			
DRFT:	Hu MY	2024.09.13			
NAME		MEDC-T-125A-V-03-5.0M-30A(H)			
DRAWING NO.	TYPE	DRAWING STATUS		SCALE	SHEET
	CUSTOMER DRAWING			1:3	1/1

Transfer or duplication of this document as well as the utilization or communication of its contents are prohibited unless written authorization is granted. Degson and its marks are trademarks or registered trademarks of Degson Technology Co., Ltd. All rights reserved for patent. 复制或传播本文件内容，或利用其内容，未经许可将被视为侵权。Degson 及其所有标志均为 Degson Technology Co., Ltd. 的注册商标。