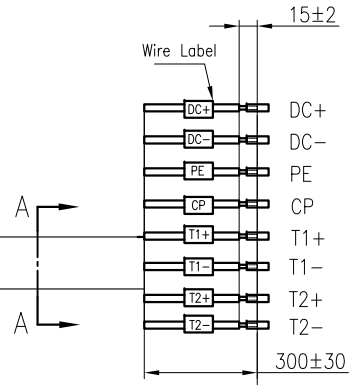
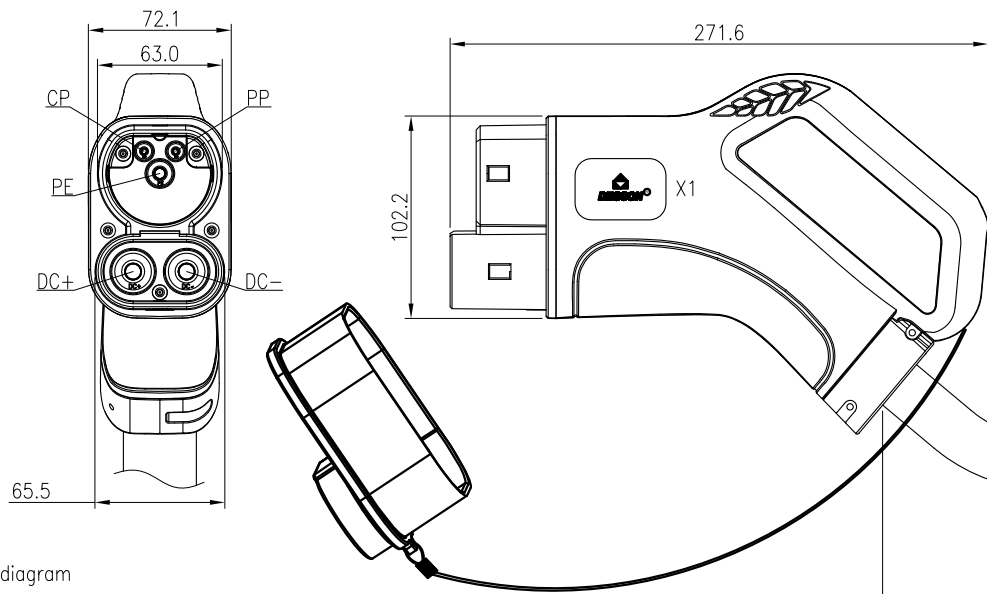
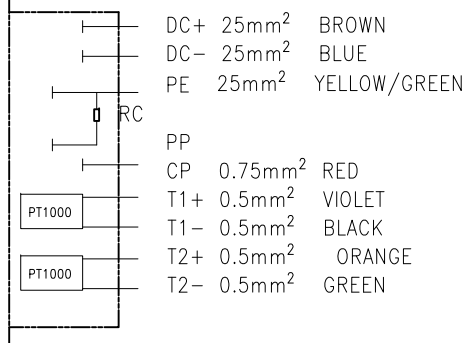


未注公差/General tolerances(mm)														
0	>3	>6	>10	>18	>30	>50	>80	>120	>180	>250	>315	>400	>500	0.1/10 ±2'
~3	~6	~10	~18	~30	~50	~80	~120	~180	~250	~315	~400	~500		
±0.12	±0.18	±0.22	±0.26	±0.31	±0.37	±0.57	±0.80	±0.93	±1.05	±1.15	±1.60	±2.20	±2.50	



Wiring diagram

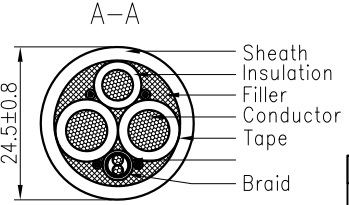


RC = 1500Ω ± 3%

X1 Laser Printing Front Note:

Laser Printing Back Note(Arial):
 MEDC-T-080A-V-03-5.0M-30AH
 80A 1000V DC
 IEC 62196-3:2022
 IP54
 20xxxxxx-xxxx

额定电压电流/Rated voltage/Current	1000V DC;80A
绝缘电阻/Insulate resistance	>500MΩ,1000V DC 1min DC+, DC- and PE, 3500V AC 1min
耐压/Withstanding voltage	DC+ and DC- 3500V AC 1min PP and CP ,1500V AC 1min
防护等级/Ingress protection	IP54
插拔寿命/Insertion/Pullout times	10,000 Times
插拔力/Insertion/Pullout force	<100N
使用温度范围/Operating temperature(°C)	-30°C~+50°C
线材规格/Cable specification	3*25mm ² +P(2*0.75mm ²)+4*0.5mm ² Black
标准/Reference standard	IEC 62196-3:2022
符合RoHS环保要求/Conform to RoHS	Yes



REV	ECN	DESCRIPTION	DRFT	DATE
00-3		Update the drawing	Hu MY	2024.09.13
00-2		Update the drawing	ZhouC	2023.09.13

DEGSON

MATERIAL: SURFACE/COLOR:
 MAT NO./REV: D0-3 MAT STATUS:
 NAME: MEDC-T-080A-V-03-5.0M-30A(H)
 DRAWING NO. TYPE: CUSTOMER DRAWING DRAWING STATUS: SCALE: 1:3 SHEET: 1/1

Transfer or duplication of this document as well as the utilization or communication of its contents are prohibited unless explicit authorization is granted. Violations will be liable for compensation. All rights reserved for patent, utility model or designs registrations. 禁止复制或传播本文件内容，未经许可擅自使用本文件内容，侵权必究。所有权利保留，未经许可擅自使用本文件内容，侵权必究。