

## Switching test box

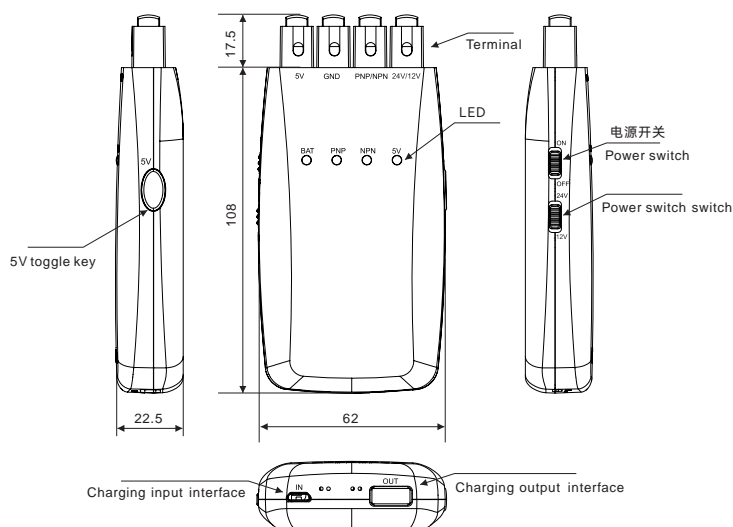


Model	DWT-2	
Basic Features		
Detection type	NPN/PNP	Automatic identification
Battery capacity	2500mAh	
Charging time	2.5h	
Electrical Data		
Output voltage	4.5~5.5V	Select the 5V output
	11~13V	Select the 12V output
	22~26V	Select the 24V output
Output current	≤0.55A	5V output
	≤0.5A	12V output
	≤0.25A	24V output
Protection circuits	Output short-circuit protection	
Environmental Conditions		
Operating temperature	-10~45 °C	
Mechanical Data		
Other features	Silent mode, sleep mode	
Size	125x62x23mm	
Weight	145g	



Annexes

## Dimensions



## Wiring Diagram

