

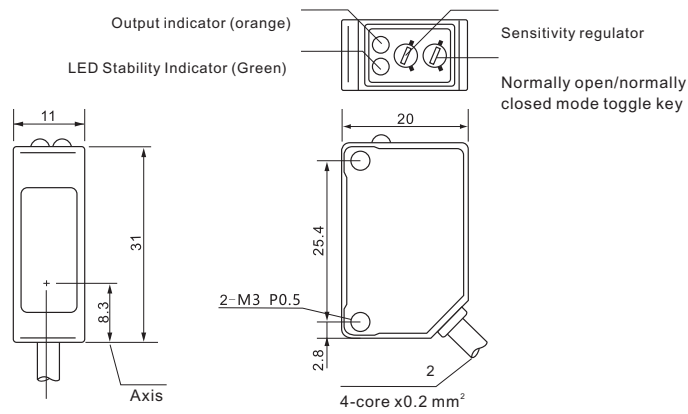
DELS Series



Model	
NPN	DELS-D30N
PNP	DELS-D30P
Basic Features	
Working principle	Photoelectric Sensors
Enclosure style	Square
How optics work	Reflection
Detection distance	10~300mm
Spot size	Ø1.5mm/0.30m
Detection	/
Light source	Red laser, 650nm Class 2
Light	Output function: orange LED, operating status: green LED
Sensitivity regulation	4-turn potentiometer
Electrical Data	
Switch mode	Light.on (Light Action) / D.on (shading action) Switchable
Output mode	NPN or PNP open collector
Response time	0.33ms
Switching frequency	6.06kHz
Repeatability	≤5%
Hysteresis (Return/Response)	≤5%
Operating voltage	10~30V DC±10%
Current consumption	≤35mA
Residual voltage	≤1.5V (100mA)
Load current	≤100mA (30VDC)
Insulation resistance	50MΩ (500VDC) ≥ between power terminal and housing
Resistance	1000VAC (50/60Hz), 1 minute between power terminal and housing
Protection circuits	Reverse polarity protection/short circuit protection
Environmental Conditions	
Operating ambient temperature	-10~50°C (no freezing)
Storage temperature	-10~70°C (non-icing)
Humidity of the working environment	35~85%RH (no condensation)
Store humidity	35~95%RH (no condensation)
Ambient illumination	Incandescent lamp ≤ 3000 Lux; LED lamp ≤ 1000 Lux; Sunlight ≤ 10000 Lux
Anti-vibration	10~55Hz sweep, 1.5mm amplitude, XYZ 3 directions for 2 hours each
Ingress protection	IP67
Mechanical Data	
Maximum tightening torque	≤0.5Nm
Connection	2m/3 core cable
Size	11.0x31.0x20.0mm
Material	ABS + fiberglass
Weight	0.052kg
Fittings	Brackets, screws

DELS Series

Dimensions

DELS-D30N(P)


Wiring Diagram

DELS-D30N(P)
