

## DELE Series

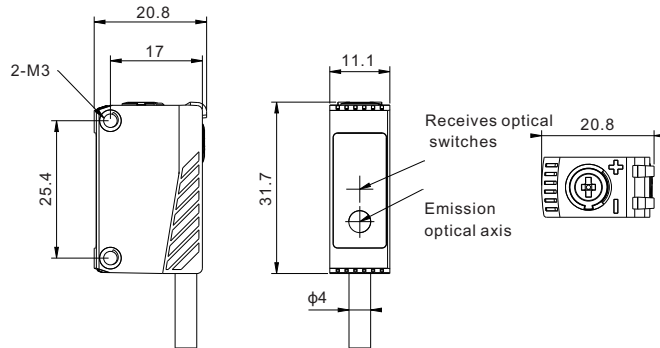


<b>Model</b>	
NPN	<b>DELE-B35N</b>
PNP	<b>DELE-B35P</b>
<b>Basic Features</b>	
Working principle	Photoelectric Sensors
Enclosure style	Square
How optics work	Background suppression diffuse reflection
Detection distance	20~350mm
Spot size	Ø3.5mm/350m
Detection	Ø0.5mm
Light source	Red laser, 650nm (modulated) Class 2
Light	Output function: red, operating status: green
Sensitivity regulation	6-turn potentiometer
<b>Electrical Data</b>	
Switch mode	Light.on (Light Action) / D.on (shading action) Switchable
Output mode	NPN or PNP open collector
Response time	≤1.2ms
Switching frequency	1kHz
Repeatability	≤5%
Hysteresis (Return/Response)	≤5%
Operating voltage	12~24V DC±10%
Current consumption	≤20mA
Residual voltage	≤1.5V
Load current	≤100mA
Insulation resistance	20MΩ (500VDC)
Resistance	1000VAC (50/60Hz)
Protection circuits	Power supply reverse polarity protection/short circuit protection
<b>Environmental Conditions</b>	
Operating ambient temperature	-10~55°C (no freezing)
Storage temperature	-30~70°C (non-icing)
Humidity of the working environment	35~85%RH (no condensation)
Store humidity	35~95%RH (no condensation)
Ambient illumination	Incandescent lamp ≤ 1000 Lux; LED lamp ≤ 600 Lux; Sunlight ≤ 20000 Lux
Anti-vibration	10~55Hz sweep, 1.5mm amplitude, XYZ 3 directions for 2 hours each
Ingress protection	IP65
<b>Mechanical Data</b>	
Maximum tightening torque	≤0.5Nm
Connection	2m/4 core cable
Size	11.0x31.0x20.0mm
Material	PBT+glass fiber (shell); PMMA (Lens)
Weight	About 68g
Fittings	Brackets, screws

## DPSE Series

## Dimensions

## DELE-B35



Unit: mm

## Wiring Diagram

## DELE-B35

