

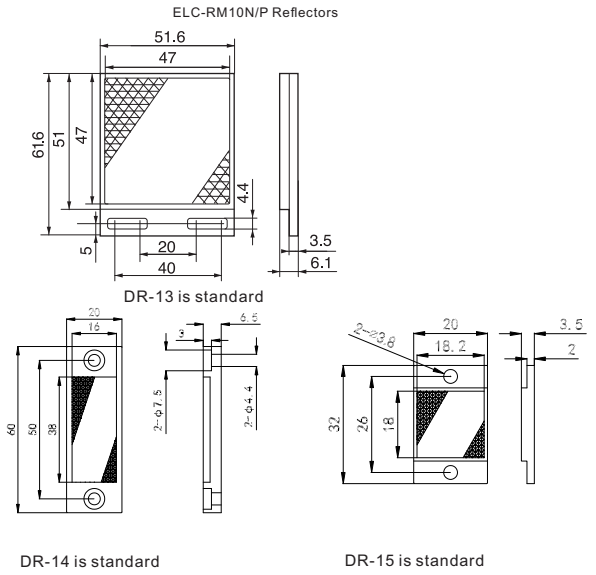
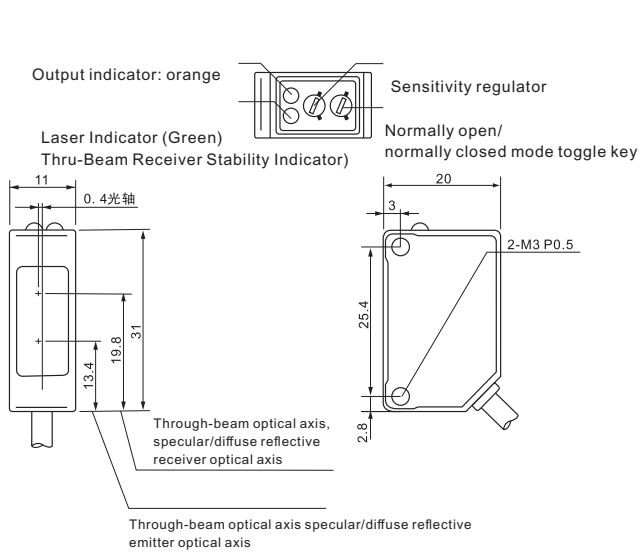
DELC Series



Model			
NPN	DELC-TM30N	DELC-RM10N	DELE-D40N
PNP	DELC-TM30P	DELC-RM10P	DELE-D40P
Basic Features			
Working principle	Photoelectric Sensors		
Enclosure style	Square		
How optics work	Reflection	Regressive reflective type	Reflection
Detection distance	3000mm	1000mm	400mm
Spot size	Ø30.0mm/30m	Ø10.0mm/00m	Ø2.0mm/0.40m
Detection	Ø2mm	Ø2mm	/
Light source	Red laser 650nm, Class 1	Red laser 650nm, Class 2	
Light	Output function: orange LED, operating status: green LED		
Sensitivity regulation	Singleturn potentiometer		
Electrical Data			
Switch mode	Light.on (Light Action) / D.on (shading action) Switchable		
Output mode	NPN or PNP open collector		
Response time	0.25ms		
Switching frequency	8kHz		
Repeatability	/		≤5%
Hysteresis (Return/Response)	/		≤20%
Operating voltage	12~24V DC±10%		
Current consumption		≤20mA	
Residual voltage	≤2.0V (100mA)	≤1.5V (100mA)	
Load current	≤100mA (24VDC)		
Insulation resistance	50MΩ (500VDC) ≥ between power terminal and housing		
Resistance	1000VAC (50/60Hz), 1 minute between power terminal and housing		
Protection circuits	Power supply reverse polarity protection/short circuit protection		
Environmental Conditions			
Operating ambient temperature	-10~50°C (no freezing)		
Storage temperature	-10~70°C (non-icing)		
Humidity of the working environment	35~85%RH (no condensation)		
Store humidity	35~95%RH (no condensation)		
Ambient illumination	Incandescent lamp ≤ 3000 Lux; LED lamp ≤ 1000 Lux; Sunlight ≤ 10000 Lux		
Anti-vibration	10~55Hz sweep, 1.5mm amplitude, XYZ 3 directions for 2 hours each		
Ingress protection	IP67		
Mechanical Data			
Maximum tightening torque	/		
Connection	2m/3 core cable		
Size	11.0x31.0x20.0mm		
Material	/		
Weight	0.092kg	0.049kg	
Fittings	Brackets, screws		

DELIC Series

Dimensions



Unit: mm

Wiring Diagram

