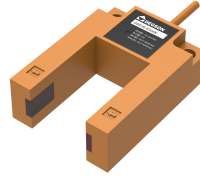


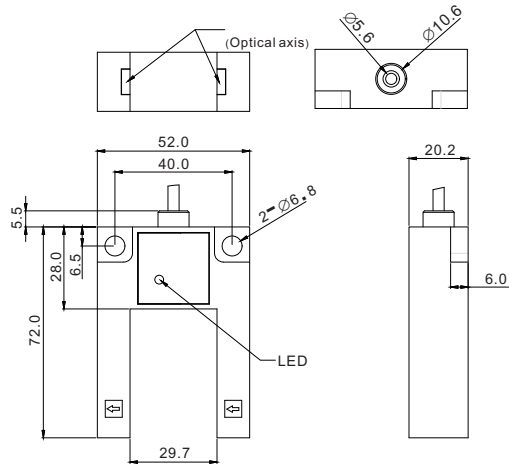
DSE Series

Wide groove type

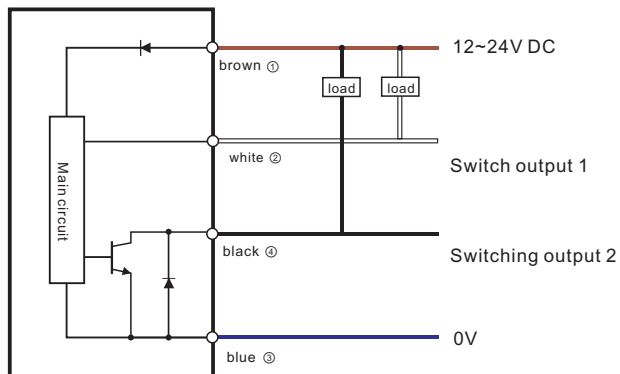


Model	
NPN	DSE30-0304N
PNP	DSE30-0304P
Basic Features	
Working principle	Photoelectric Sensors
Enclosure style	Type U
How optics work	Shooting
Light source	Infrared LED, 940nm (modulated)
Slot width	30mm
Groove depth	44mm
Detection	2mm
Light	Output function: Yellow LED
Electrical Data	
Switch mode	Light.on (Light Action) / D.on (shading action) Switchable
Output mode	NPN or PNP open collector
Response time	1ms
Switching frequency	2kHz
Repeatability	<0.03mm
Hysteresis (Return/Response)	<0.03mm
Operating voltage	12~24V DC±10%
Current consumption	≤15mA
Residual voltage	≤2.5V (100mA)
Load current	≤100mA (24VDC)
Insulation resistance	≥50MΩ (500VDC)
Resistance	1000VAC (50/60Hz)
Protection circuits	Reverse polarity protection/short circuit protection
Environmental Conditions	
Operating ambient temperature	-15~65°C (no freezing)
Storage temperature	-25~80°C (non-icing)
Humidity of the working environment	35~95%RH (no condensation)
Store humidity	35~95%RH (no condensation)
Ambient illumination	LED light ≤500 Lux
Anti-vibration	10~55Hz sweep, 1.5mm amplitude, XYZ 3 directions for 2 hours each
Ingress protection	IP60
Mechanical Data	
Connection	2m/4 core cable
Size	52.0x20.2x72.0mm
Material	ABS
Weight	0.065kg/0.019kg
Fittings	/

Dimensions

DSE30-0304N/P


Wiring Diagram

NPN

PNP
