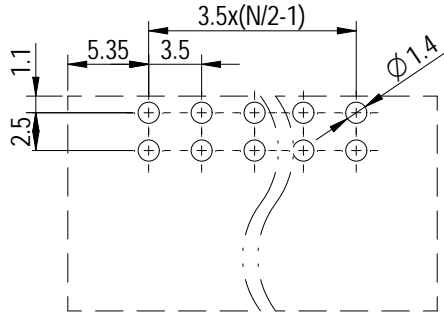
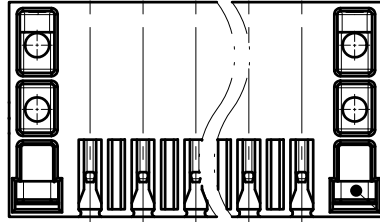


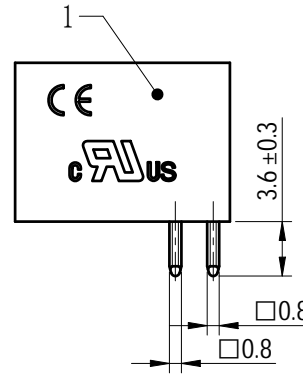
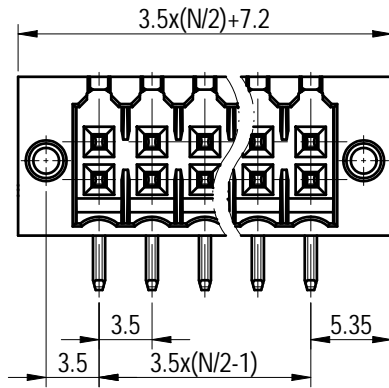
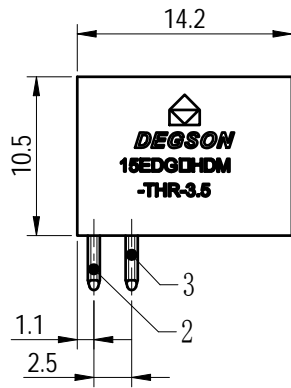
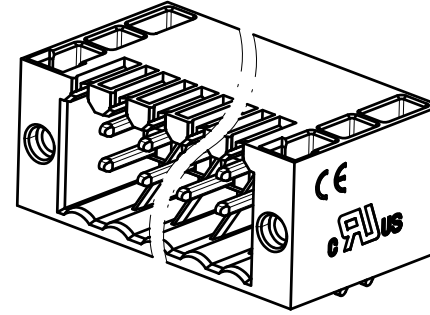
PCB LAYOUT



未注公差/General tolerances (mm)														
0	>3	>6	>10	>18	>30	>50	>80	>120	>180	>250	>315	>400	>500	0.1/10
~3	~6	~10	~18	~30	~50	~80	~120	~180	~250	~315	~400	~500	>500	
±0.12	±0.18	±0.22	±0.26	±0.31	±0.37	±0.57	±0.80	±0.93	±1.05	±1.15	±1.60	±2.20	±2.50	±2'



4



ITEM	NAME OF PART	MATERIAL	NOTES
4	Nut	Steel	M2/Zn Plated
3	Pin 2	Copper	Sn Plated
2	Pin 1	Copper	Sn Plated
1	Housing	Thermoplastic	UL94V-0

UL 标准/UL Standard:	B	C	D
额定电压/电流/Rated Voltage(V)/Current(A)	150/10	50/10	7
IEC 标准/IEC Standard:			
过压类别/Over voltage Category/污染等级/Pollution Degree	III/3	III/2	II/2
额定电压/电流/Rated Voltage(V)/Current(A)	80/10	200/10	320/10
额定脉冲电压(KV)/Rate Impulse Voltage(KV)	2.5	2.5	2.5
螺母扭矩/Torque Tightening(N·m/Lb.in)	M2, 0.2/1.77		
间距/Pitch(mm)/线数范围/Poles	3.5/N=04-48P		
使用温度范围/Operating temperature(°C)	-30~+120		
符合RoHS环保要求/Conform to RoHS	Yes		

		MATERIAL:	SURFACE/COLOR:		
APPD: 兰春华 2024.08.30		MAT NO./REV: - / 00	MAT STATUS: 批量		
CHKD: 龚耀志 2024.08.30		NAME: 15EDGRHDM-THR-3.5-XXP-1Y-00Z(H)			
DRFT: 朱岳鹏 2024.05.10		DRAWING NO. 200051065	TYPE: CUSTOMER DRAWING	DRAWING STATUS: 已发布	SCALE: 2:1
REV: 00		DESCRIPTION		DRWT: 朱岳鹏	SHEET: 1/1

REV	ECN	DESCRIPTION	DRFT	DATE
00			朱岳鹏	2024.05.10

Transfer or duplication of this document as well as the utilization or communication of its contents are prohibited unless authorized in writing. All rights reserved for patent, utility model or design registrations. 除专利、实用新型、外观设计、软件著作权等权利外，其他权利均归本公司所有。未经许可，不得复制或传播。