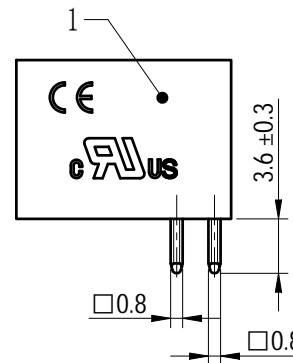
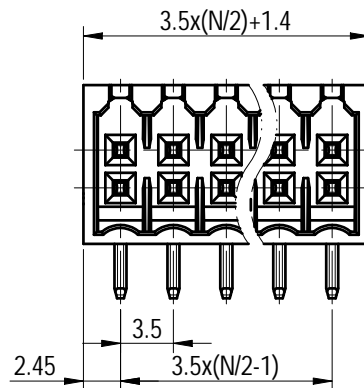
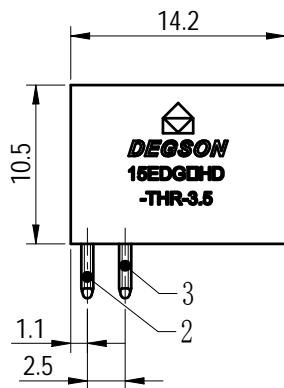
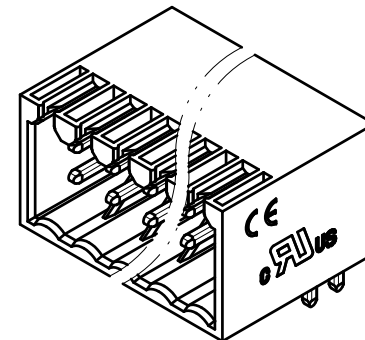
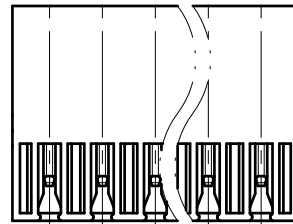
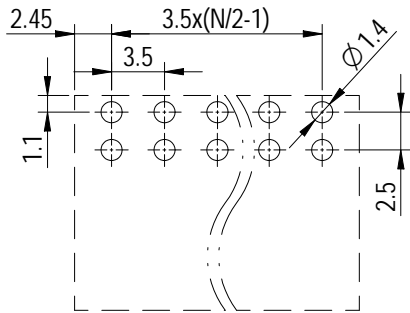


PCB LAYOUT



公差/General tolerances (mm)													0.1/10		
0	>3	>6	>10	>18	>30	>50	>80	>120	>180	>250	>315	>400	>500	0.1/10	±2'
~3	~6	~10	~18	~30	~50	~80	~120	~180	~250	~315	~400	~500			
±0.12	±0.18	±0.22	±0.26	±0.31	±0.37	±0.57	±0.80	±0.93	±1.05	±1.15	±1.60	±2.20	±2.50		

ITEM	NAME OF PART	MATERIAL	NOTES
3	Pin 2	Copper	Sn Plated
2	Pin 1	Copper	Sn Plated
1	Housing	Thermoplastic	UL94V-0

UL 标准/UL Standard				B	C	D
额定电压/电流/Rated Voltage(V)/Current(A)				150/10	50/10	/
IEC 标准/IEC Standard						
过压类别/Overtoltage Category/污染等级/Pollution Degree				III/3	III/2	II/2
额定电压/电流/Rated Voltage(V)/Current(A)				80/10	200/10	320/10
额定脉冲电压(KV)/Rate Impulse Voltage(KV)				2.5	2.5	2.5
间距/Pitch(mm)/线数范围/Roles				3.5/N= 04- 48P		
使用温度范围/Operating temperature(°C)				-30~ + 120		
符合 RoHS 环保要求/Conform to RoHS				Yes		

		MATERIAL:	SURFACE/COLOR:		
MAT NO./REV: - / 00		MAT STATUS: 批量			
APPD: 兰春华	2024.08.30	NAME			
CHKD: 龚耀志	2024.08.30	15EDGRHD-THR-3.5-XXP-1Y-00Z(H)			
DRFT: 朱岳鹏	2024.05.10	DRAWING NO.	TYPE	DRAWING STATUS	SCALE
		200051130	CUSTOMER DRAWING	已发布	2:1
				SHEET	1/1

REV	ECN	DESCRIPTION	DRFT	DATE
00			朱岳鹏	2024.05.10

Transfer or duplication of this document as well as the utilization or communication of its content are prohibited unless authorized in writing by DEGSON. All rights reserved for patent. 除专利注明情况外，其他内容均受法律保护。未经授权，不得复制或传播。 0.1/10