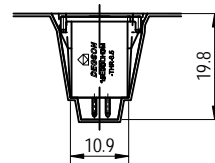
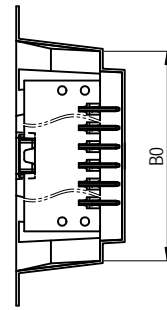
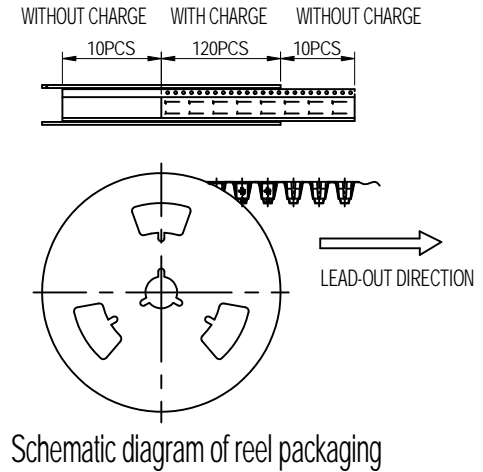


The reel drawing just reference only



Reel Name	POLE	Width / W	Pitch / P	Width / F	Width / B0	Qty. per reel	Reel qty. per carton	Qty. per carton
15EDGVHDM-THR-3.5-REEL(32)	4-6	32mm	24mm	14.20mm	18.10mm	120	8	960
15EDGVHDM-THR-3.5-REEL(56)	8-18	56mm	24mm	26.25mm	39.10mm	120	5	600
15EDGVHDM-THR-3.5-REEL(88)	20-34	88mm	24mm	42.25mm	67.10mm	120	3	360
15EDGVHDM-THR-3.5-REEL(104)	36-46	104mm	24mm	50.20mm	88.10mm	120	3	360

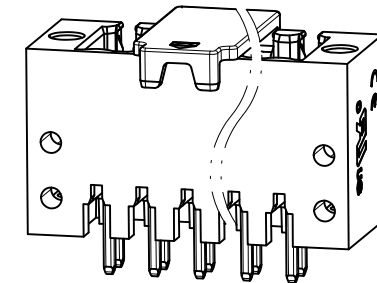
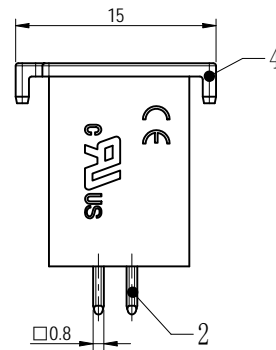
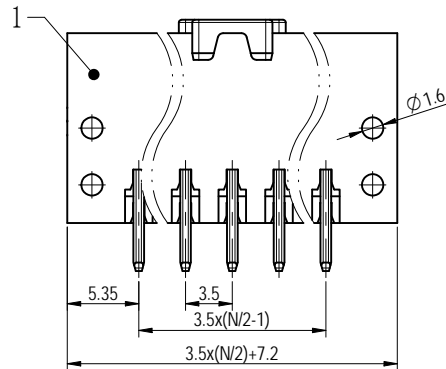
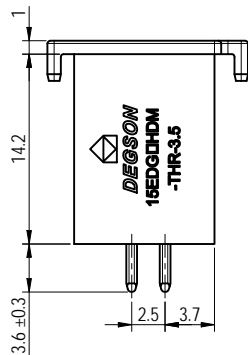
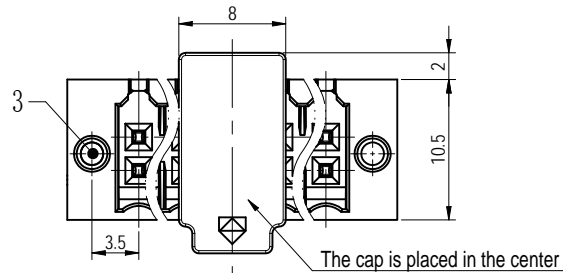
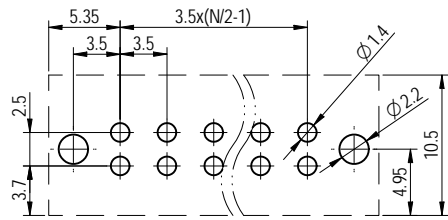
公差表(General tolerances (mm))											D		
0	>3	>6	>10	>18	>30	>50	>80	>120	>180	>250		>315	>400
±0.12	±0.18	±0.22	±0.26	±0.31	±0.37	±0.57	±0.80	±0.93	±1.05	±1.15	±1.60	±2.20	±2.50
													0.1/10
													±2



Schematic diagram of reel packaging

Scale 1:1

PCB LAYOUT



ITEM	NAME OF PART	MATERIAL	NOTES
4	Cap	Thermoplastic	UL94V-0
3	Nut	Steel	M2/Zn Plated
2	Pin	Copper	Sn Plated
1	Housing	Thermoplastic	UL94V-0

UL 标准/UL Standard:			
额定电压/电压/Rated Voltage(V)/Current(A)	B	C	D
150/10	50/10	7	
IEC 标准/IEC Standard:			
过压类别/Overvoltage Category/污染等级/Pollution Degree	III/3	II/2	II/2
额定电压/电压/Rated Voltage(V)/Current(A)	80/10	200/10	320/10
额定脉冲电压(KV)/Rate Impulse Voltage(KV)	2.5	2.5	2.5
螺母扭矩/Torque Tightening(N·m/Lb.in)	M2, 0.2/1.77		
间距/Pitch(mm)/线数范围/Poles	3.5/N=04-46P		
使用温度范围/Operating temperature(°C)	-30~+120		
符合RoHS环保要求/Conform to RoHS	Yes		

DIGSON		MATERIAL:	SURFACE/COLOR:	
APPD:	DATE:	MAT NO./REV:	MAT STATUS:	
兰春华	2024.08.30	- / 00	批量	
CHKB:	DATE:	NAME		
袁耀志	2024.08.30	15EDGVHDM-THR-3.5-XXP-1Y-0OR(H)		
DRFT:	DATE:	DRAWING NO.	TYPE	DRAWING STATUS
朱岳鹏	2024.05.10	200020799	CUSTOMER DRAWING	已发布
		SCALE	SHEET	
		2.5:1	1/1	

REV	ECN	DESCRIPTION	DRFT	DATE
00			朱岳鹏	2024.05.10

Transfer or duplication of this document as well as the utilization of its contents without the written consent of Digson Electronics Co., Ltd. is prohibited. All rights reserved for patent. 此文件及其内容之复制或传播，或未经授权而使用其内容，均被严格禁止。所有权利保留。如有侵权，本公司将依法追究法律责任。