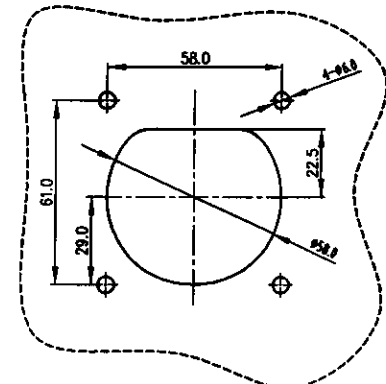
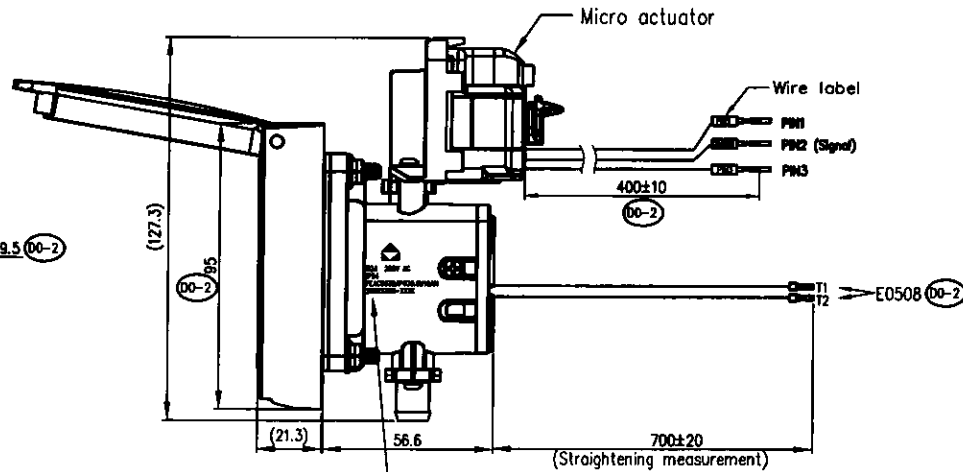
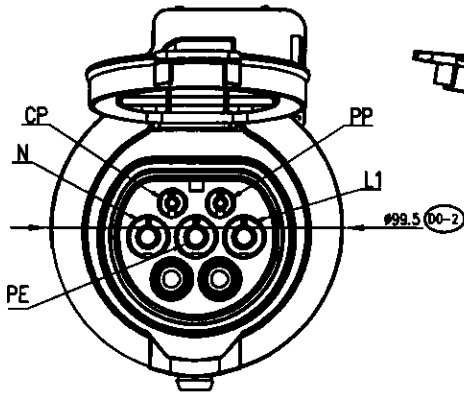
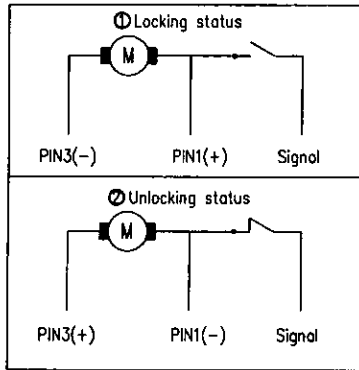


REVISION RECORD				
REV	ECN	DESCRIPTION	DRFT	DATE
00-2		Drawings to upgrade	LLL	2019.10.08

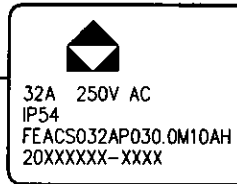


Micro actuator diagram



Micro actuator parameters:  
 Rated Voltage: DC 12V  
 Operating Voltage : 9-15.5 V  
 Current consumption: <2.4A  
 Reactive Time: 40ms< t < 200ms  
 ① PIN 1 +, PIN3 -: The switch will be disconnected in Locking status  
 ② PIN 1 -, PIN3 +: The switch will be connected in unlocking status  
 PIN 2: signal  
 H -Bridge is necessary for polarity change

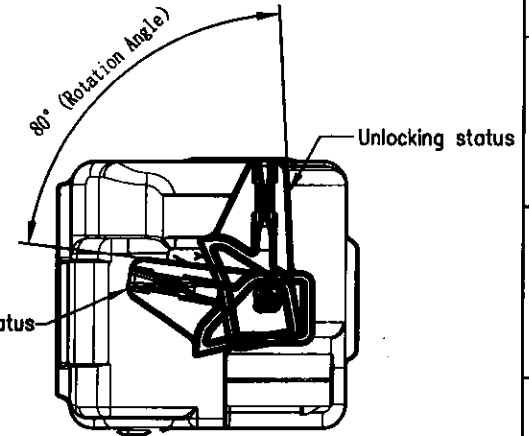
Laser Printing:



Connection Mode: 00-2

L1	(6mm <sup>2</sup> )	L1
N	(6mm <sup>2</sup> )	N
PE	(6mm <sup>2</sup> )	PE
PP	(0.75mm <sup>2</sup> )	PP
CP	(0.75mm <sup>2</sup> )	CP
NTC	White (28AWG)	T1
	White (28AWG)	T2
Micro Actuator	Green (18AWG)	PIN1
	Blue (18AWG)	PIN2 (Signal)
	Red (18AWG)	PIN3

Attention:  
 The Thermistor is placed beside of L1  
 The Thermistor is NTC  
 (Specification :T= 25℃ Resistance = 10±1% Kohm)  
 The resistance decreases with increasing temperature



Technical data	
Rated voltage	250V AC
Rated current	32A
Temperature range	-30℃~+50℃
Insulate resistance	>5MΩ,500V DC 1min
Withstanding Voltage	L, N and PE 2500V AC 1min L and N 2500V AC 1min
Ingress protection rating	IP54
Mechanical Working Life (Mating Cycles)	10,000 Times
Standard	IEC 62196-2:2016
Flame Class	UL 94V-0

Size Measure Range	.XX	.X
≤6	±0.05	±0.10
6~30	±0.10	±0.20
30~120	±0.15	±0.30
120~400	±0.20	±0.50
400~1000	±0.30	±0.80
1000~2000	±0.50	±1.20
Angle Measure Range	XX	X
	±0.5°	±1.0°

PART NO.:	NINGBO DEGSON ELECTRICAL CO., LTD	
NAME:	Socket-Outlet (32A AC single-phase ) FEAC-S-032A-P-03-0.0M-10A(H)	
TITLE: Customer Drawing	REV	DO-2
DRAWING NO.:	SHEET	1/1
DO NOT SCALE DRAWING	SCALE	1:2



THIRD ANGLE PROJECTION