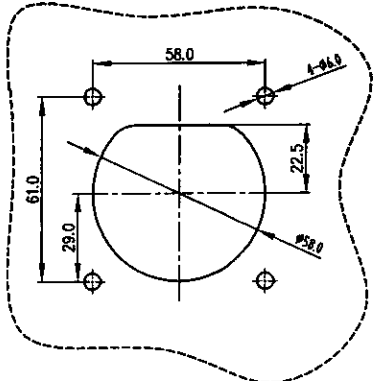
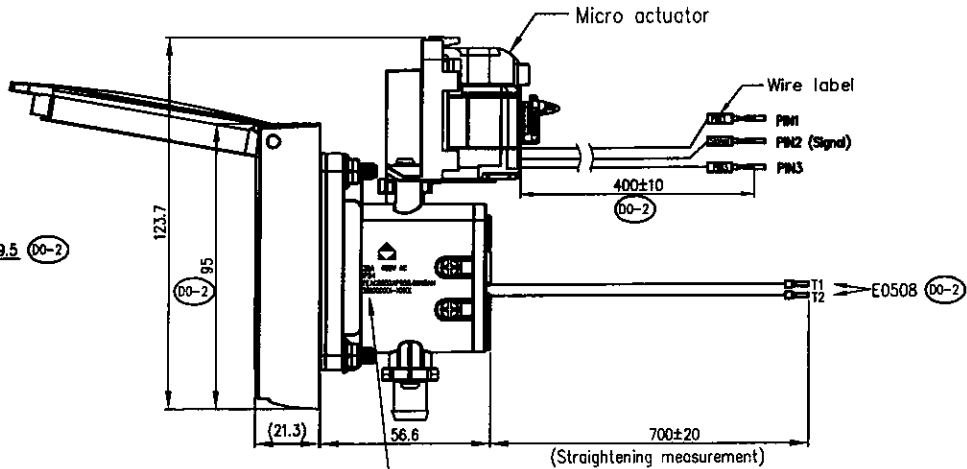
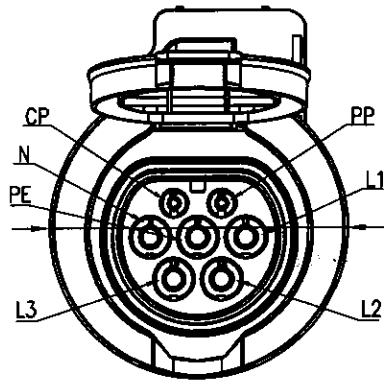
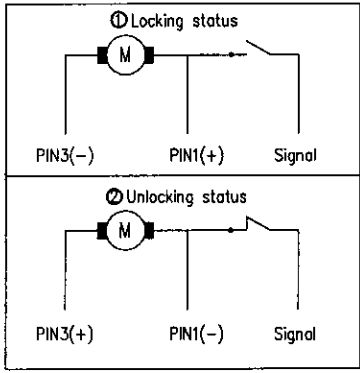


REVISION RECORD				
REV	ECN	DESCRIPTION	DRFT	DATE
00-2		Drawings to upgrade	LLL	2019.10.08



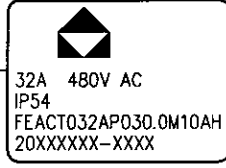
Installation plate dimension

Micro actuator diagram



Micro actuator parameters:
 Rated Voltage: DC 12V
 Operating Voltage : 9-15.5 V
 Current consumption: <2.4A
 Reactive Time: 40ms < t < 200ms
 ① PIN 1 +, PIN3 -: The switch will be disconnected in Locking status
 ② PIN 1 -, PIN3 +: The switch will be connected in unlocking status
 PIN 2: signal
 H - Bridge is necessary for polarity change

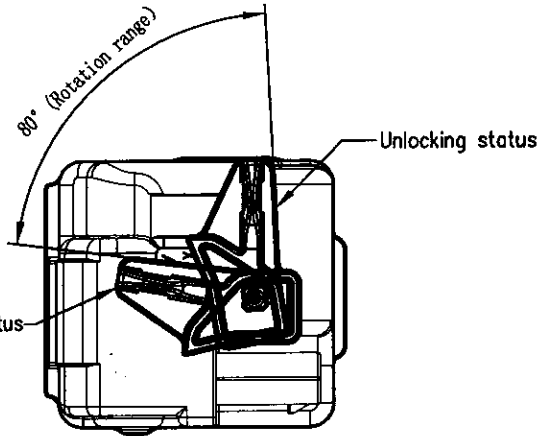
Laser Printing:



Connection Mode: 00-2

L1	(6mm ²)	L1
L2	(6mm ²)	L2
L3	(6mm ²)	L3
N	(6mm ²)	N
PE	(6mm ²)	PE
PP	(0.75mm ²)	pp
CP	(0.75mm ²)	CP
NTC	White (28AWG)	T1
	White (28AWG)	T2
	Green (18AWG)	PIN1
Micro Actuator	Blue (18AWG)	PIN2 (Signal)
	Red (18AWG)	PIN3

Attention:
 The Thermistor is placed beside of L1
 The Thermistor is NTC
 (Specification :T= 25℃ Resistance = 10±1% Kohm)
 The resistance decreases with increasing temperature



Technical data	
Rated voltage	480V AC
Rated current	32A
Temperature range	-30℃~+50℃
Insulate resistance	>5MΩ,500V DC 1min
Withstanding Voltage	L, N and PE 2500V AC 1min L and N >2500V AC 1min
Ingress protection rating	IP54
Mechanical Working Life (Mating Cycles)	10,000 Times
Standartd	IEC 62196-2:2016
Flame Class	UL 94V-0

Size Measure Range	.XX	.X	PART NO.:	NINGBO DEGSON ELECTRICAL CO., LTD	
≤6	±0.05	±0.10	APPD:	NAME: Socket-Outlet (32A AC three-phase)	
6~30	±0.10	±0.20	CHKD:	FEAC-T-032A-P-03-0.0M-10AH	
30~120	±0.15	±0.30	DRFT: LLL 2020-03-20	TITLE: Customer Drawing	REV DO-2
120~400	±0.20	±0.50		DRAWING NO.:	SHEET 1/1
400~1000	±0.30	±0.80		DO NOT SCALE DRAWING	SCALE 1:2
1000~2000	±0.50	±1.20			
Angle Measure Range	.XX	.X			
±0.5°	±1.0°				