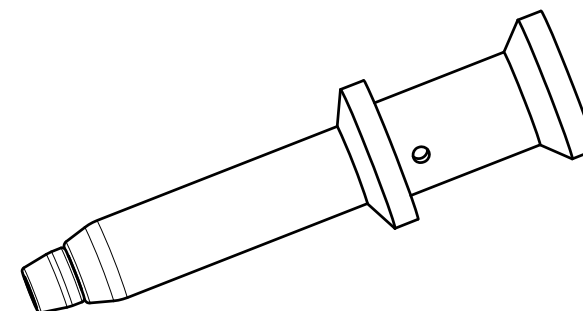
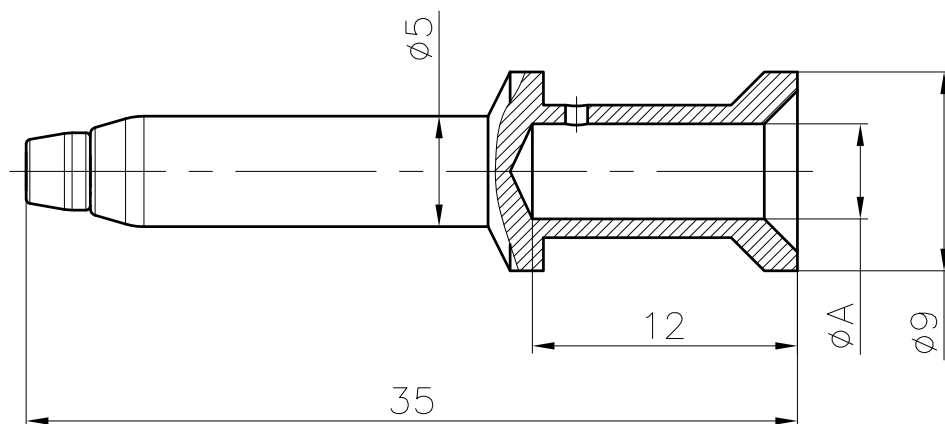


Contacts, silver-plated	Type of products	(ØA)	Wire gauge		Recommended stripping length
			(mm ²)	(AWG)	
	DK-70A-SM-10-镀银	4.3	10	8	12mm
	DK-70A-SM-16-镀银	5.5	16	6	12mm



Crimp contacts

01. Material :Copper alloy
02. Surface :silver plated
03. Contact resistance : $\leq 1m\Omega$
04. Terminal :Crimp connection
05. Wire gauge :10mm² or 16mm² (8AWG or 6AWG)
06. Rohs Compliance
07. General tolerances: DIN ISO 2768-m

	MATERIAL:	/	SURFACE/COLOR:	/
	MAT NO./REV:	D0	MAT STATUS:	/
APPD: Song ZG 2023.07.31	NAME: DK-70A-SM-xx-镀银			
CHKD: Yang SH 2023.07.31				
DRFT: Zhou YZ 2023.07.31	DRAWING NO.	TYPE:	DRAWING STATUS	SCALE
	/	CUSTOMER DRAWING	/	1:1
				SHEET 1/1

REV	ECN	DESCRIPTION	DRFT	DATE