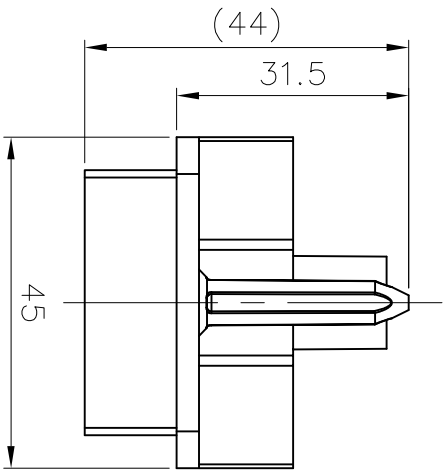
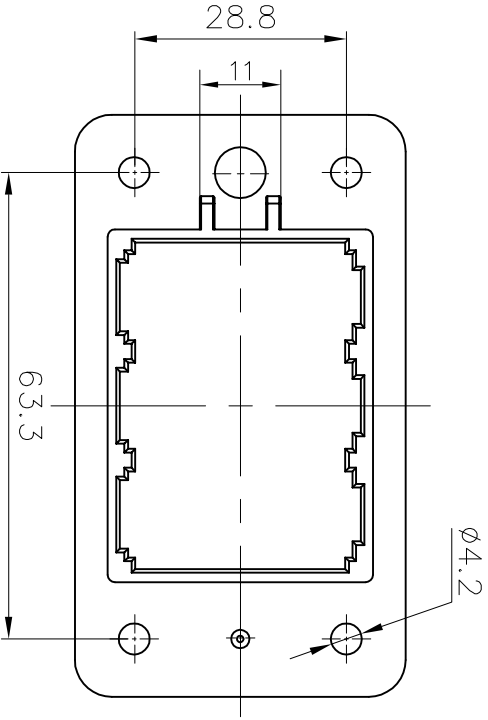
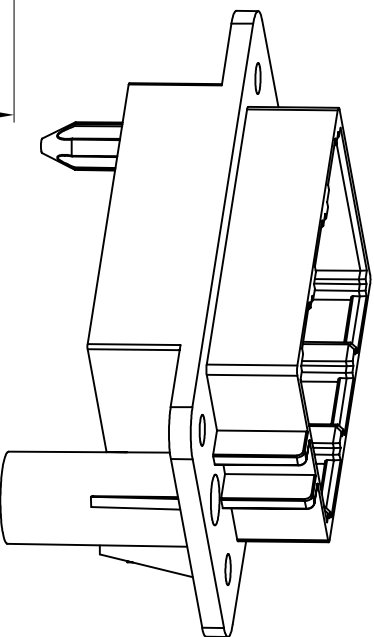


Mounting dimension

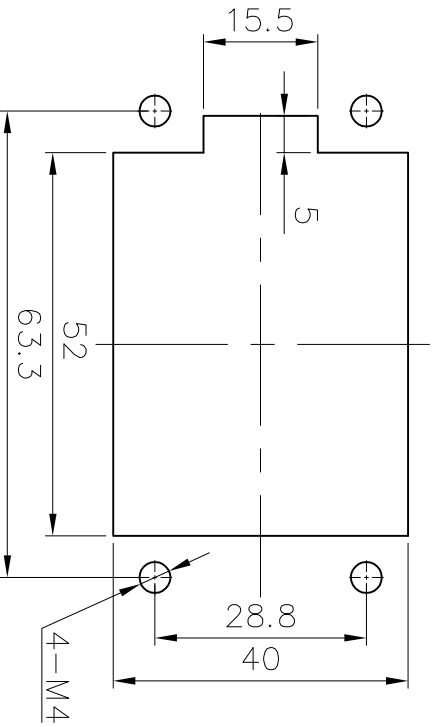


Technical characteristics:

- 01. Material: Polycarbonate
- 02. Color: RAL7032 (Light grey)
- 03. Limiting temperatures: -40°C ~ +125°C
- 04. Flammability acc to UL94: V0
- 05. Rohs Compliance
- 06. General tolerances: DIN ISO 2768-c



Panel cut out



REV	ECN	DESCRIPTION	DRAFT	DATE

		MATERIAL:	/	SURFACE/COLOR:	/
APPD:	CHKD:	MAT NO./REV:	/	MAT STATUS:	/
DRAFT: Yu KW 2023.08.17 A4 1000 inch		NAME:	DF10B.P-LA-F		
DRAFTING NO.:		TYPE:	CUSTOMER DRAWING	DRAWING STATUS:	/
SCALE:	1:1	SHEET:	1/1		