

Technical characteristics:
 Specifications
 DIN EN 60 664-1
 DIN EN 61 984

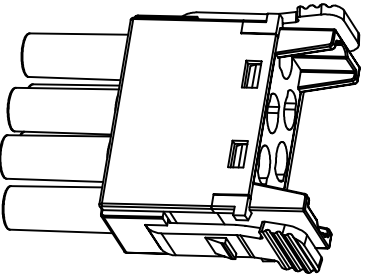
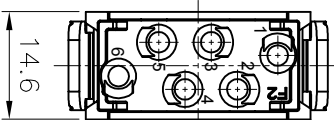
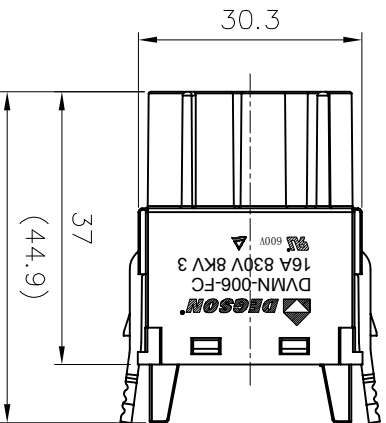
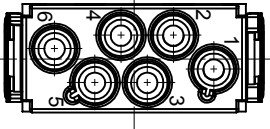
Inserts

01. Number of contacts : 6
02. Rated Current : 16A
03. Rated Voltage : 830V
04. Pollution degree : 3
05. Rated impulse voltage : 8kv
06. Insulation resistance : $\geq 10^{10} \Omega$
07. Material: Polycarbonate
08. Color: RAL7032(Light grey)
09. Rated voltage acc. to UL/CSA: 600V
10. Limiting temperatures : $-40^{\circ}\text{C} \sim +125^{\circ}\text{C}$
11. Flammability acc. to UL94: V0
12. Mechanical working life (mating cycles) : ≥ 500

Contacts

01. Material: Copper alloy
02. Surface: Silver plated
Gold plated
03. Contact resistance : $\leq 1\text{m}\Omega$
04. Terminal : Crimp terminal
05. Wire gauge : 0.14~4.0mm² (AWG 26~12)
06. Stripping length : 7.5mm
07. Rohs Compliance
08. General tolerances: DIN ISO 2768-c

Note: Crimp contact pins should order separately



REV	ECN	DESCRIPTION	DRAFT	DATE

DRAFT	YU KW 2023.08.17
CHK/D	A4
APPD.	mm inch

DESSON		MATERIAL:	/	SURFACE/COLOR:	/
MAT NO/REV:	/	MAT STATUS:	/		
NAME:	DVMN-006-FC				
DRAWING NO.:	/	TYPE:	CUSTOMER DRAWING	DRAWING STATUS:	/
SCALE:	1:1	SHEET:	1/1		