

Technical characteristics:  
 Specifications  
 DIN EN 60 664-1  
 DIN EN 61 984

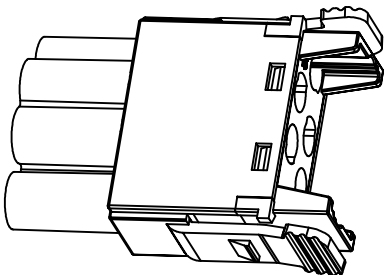
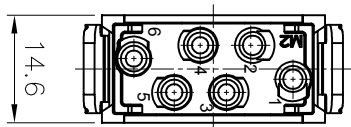
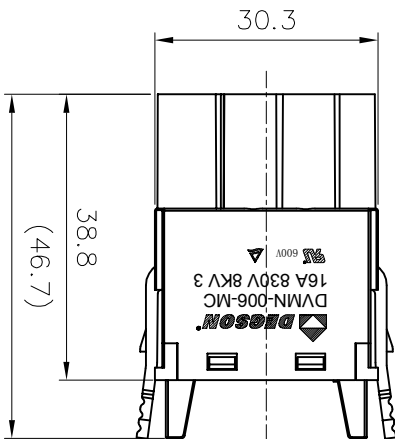
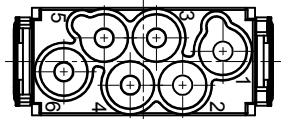
#### Inserts

01. Number of contacts : 6
02. Rated Current : 16A
03. Rated Voltage : 830V
04. Pollution degree : 3
05. Rated impulse voltage : 8kV
06. Insulation resistance :  $\geq 10^{10} \Omega$
07. Material: Polycarbonate
08. Color: RAL7032 (light grey)
09. Rated voltage acc. to UL/CSA: 600V
10. Limiting temperatures :  $-40^{\circ}\text{C} \sim +125^{\circ}\text{C}$
11. Flammability acc. to UL94: V0
12. Mechanical working life (mating cycles) :  $\geq 500$

#### Contacts

01. Material: Copper alloy
02. Surface: Silver plated  
Gold plated
03. Contact resistance :  $\leq 1\text{m}\Omega$
04. Terminal : Crimp terminal
05. Wire gauge : 0.14~4.0mm<sup>2</sup> (AWG 26~12)
06. Stripping length : 7.5mm
07. Rohs Compliance
08. General tolerances: DIN ISO 2768-c

Note: Crimp contact pins should order separately



REV	ECN	DESCRIPTION	DRAFT	DATE
2				

		MATERIAL:	/	SURFACE/COLOR:	/
		MAT NO./REV:	/	MAT STATUS:	/
APPD:		NAME:	<b>DVMN-006-MC</b>		
CHKD:		DRAWING NO.:	/	TYPE:	CUSTOMER DRAWING
DRAFT:	Yu KW 2023.08.17	DRAFT:	A4	DRAWING STATUS:	/
			1000	SCALE:	1:1
			inch	SHEET:	1/1