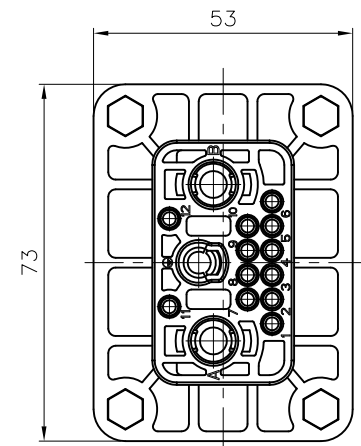
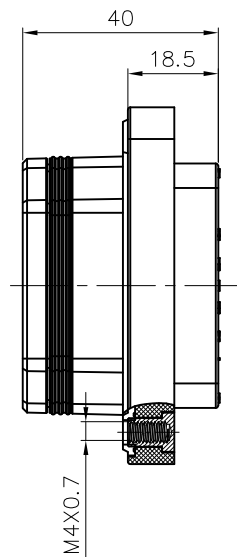
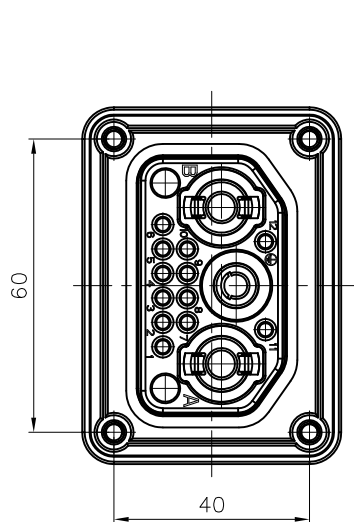


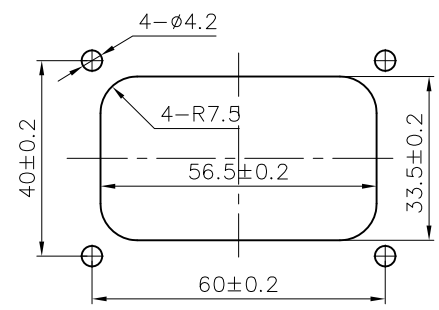
Transfer or duplication of this document as well as the utilization or communication of its contents are prohibited unless explicit authorization is granted. Violations will be liable for compensation. All rights reserved for patent, utility, model or designs registrations. 除非给予明确授权，否则禁止转让、复制、利用、交易本文件的内容。侵犯者将承担法律责任。本公司保留对涉及发明、实用新型和外观设计的所有权利。



Technical characteristics:

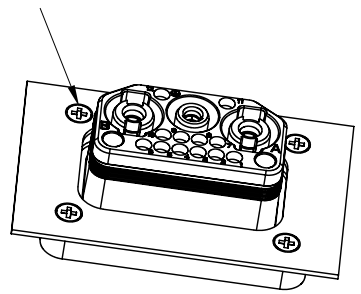
Specifications
DIN EN 60 664-1
DIN EN 61 984

- Inserts
- 01. Number of contacts :2/12+PE
 - 02. Power area:
 - . Rated Current :70A
 - . Rated Voltage :1000V
 - . Pollution degree :3
 - . Rated impulse voltage :8KV
 - 03. Signal area:
 - . Rated Current :5A
 - . Rated Voltage :50V
 - . Pollution degree :3
 - . Rated impulse voltage :0.8KV
 - 04. Insulation resistance : $\geq 10^{10} \Omega$
 - 05. Material: Polyamide
 - 06. Rated voltage acc. to UL/CSA:600/50V
 - 07. Limiting temperatures : $-40^{\circ}\text{C} \sim +125^{\circ}\text{C}$
 - 08. Flammability acc. to UL94:V0
 - 09. Mechanical working life (mating cycles) : ≥ 500
 - 10. Terminal :Crimp terminal
 - 11. Wire gauge:
 - Power are :10~16mm² (AWG 8~6)
 - Signal area:0.14~2.5mm² (AWG 26~14)
 - Ground conductor:1.5~6mm² (AWG 16~10)
 - 12. Tightening torque :M4/1.2N.m
 - 13. Rohs Compliance
 - 14. General tolerances:DIN ISO 2768-c

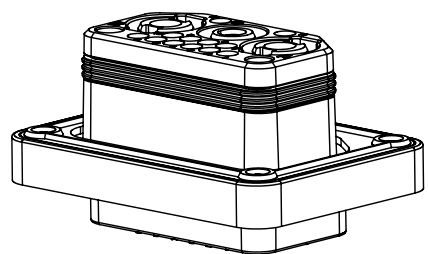


Panel cut out 1:1.5

- 注:
- 01. 推荐使用M4*0.7(L=8mm)平头螺丝;
 - 02. 面板开孔倒角根据使用的螺丝进行加工;
 - 03. 面板厚度1.5~2mm;



安装示意图

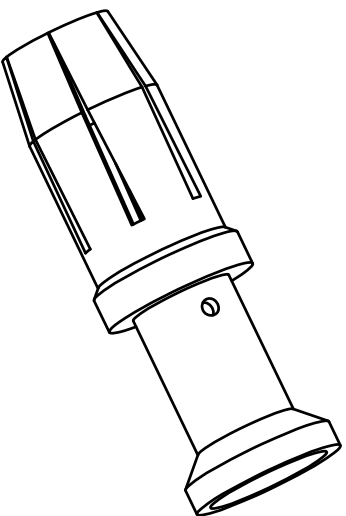
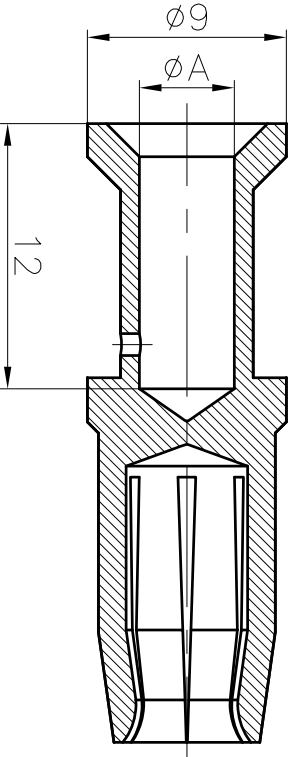
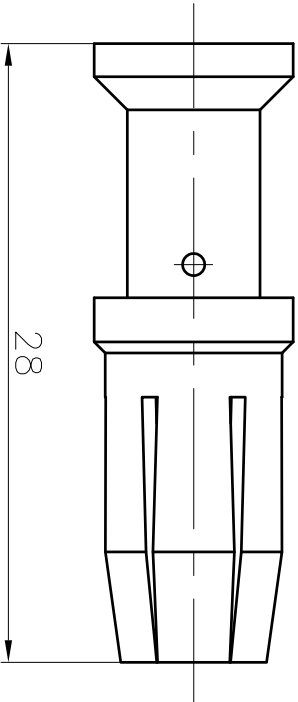


MATERIAL: /		SURFACE: /	
MAT NO.:		宁波高松电子有限公司 NINGBO DEGSON ELECTRICAL CO., LTD	
STATUS: /			
APPD: Song ZG 2023.01.05		NAME: DK-03/12-FC	
CHKD: Yang SH 2023.01.05		DRAWING NO.: /	
DRFT: Chen HK 2023.01.05		REV DO	
⊕	SIZE: A4	TYPE: CUSTOMER DRAWING	SCALE: 1:1.5 SHEET 1/1

REV	ECN	DESCRIPTION	DRFT	DATE

FOR-1755 Rev.1.7

Contacts, silver-plated	(ØA)	Wire gauge		Recommended stripping length
		(mm ²)	(AWG)	
Type of products				
DK-70A-SF-10-镀银	4.3	10	8	12mm
DK-70A-SF-16-镀银	5.5	16	6	12mm



- Crimp contacts
01. Material :Copper alloy
 02. Surface :silver plated
 03. Contact resistance : $\leq 1m\Omega$
 04. Terminal :Crimp connection
 05. Wire gauge : 10mm²/16mm² (8AWG/6AWG)
 06. Rohs Compliance
 07. General tolerances: DIN ISO 2768-m

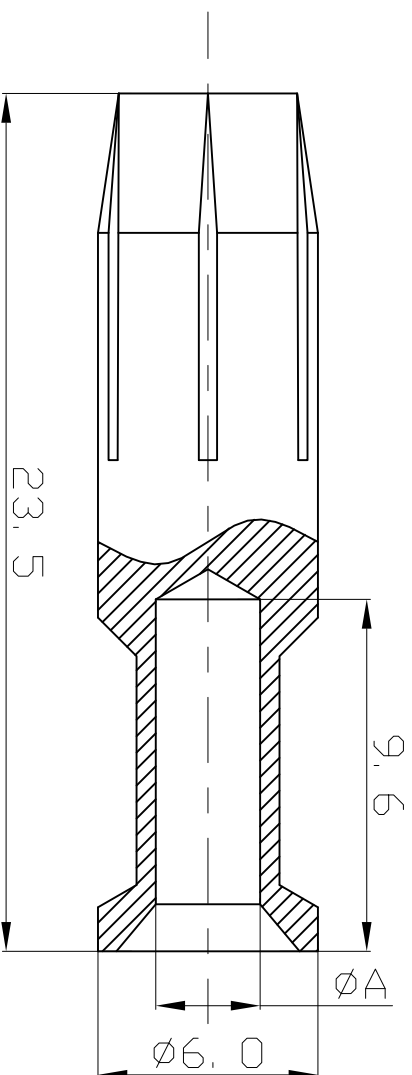
REV	ECN	DESCRIPTION	DRAFT	DATE
1				
2				

		MATERIAL:	/	SURFACE/COLOR:	/
APPD:	Song ZG 2023.07.31	MAT NO./REV:	D0	MAT STATUS:	/
CHKD:	Yang SH 2023.07.31	NAME:	DK-70A-SF-xx-镀银		
DRAFT:	Zhou YZ 2023.07.31	DRAWING NO.:	CUSTOMER DRAWING	DRAWING STATUS	/
		TYPE:	DRAWING STATUS	SCALE	1:1
				SHEET	1/1

Contacts, silver-plated

Type of products	(∅A)	Wire gauge		Recommended stripping length
		(mm ²)	(AWG)	
40A-SF-1.5	1.75	1.5	16	9.0mm
40A-SF-2.5	2.25	2.5	14	9.0mm
40A-SF-4.0	2.85	4.0	12	9.6mm
40A-SF-6.0	3.5	6.0	10	9.6mm

REVISION RECORD				
REV	ECN	DESCRIPTION	DRFT	DATE



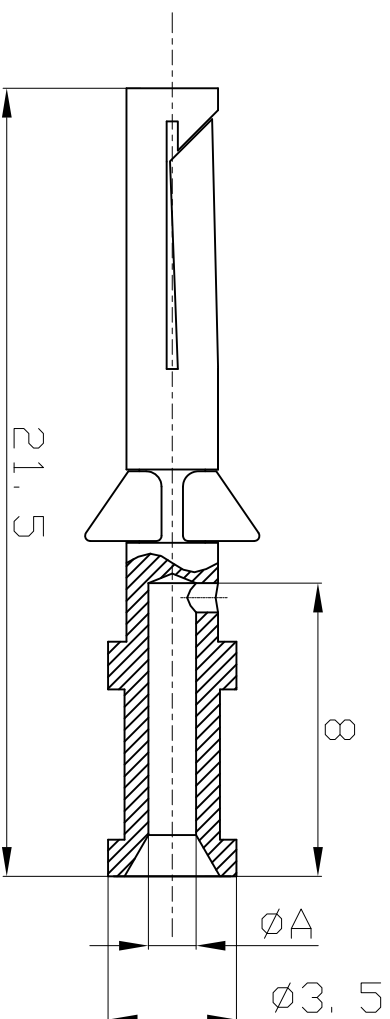
Crimp contacts

01. Material :Copper alloy
02. Surface :hard-silver plated
03. Contact resistance : $\leq 0.3m\Omega$
04. Terminal :Crimp connection
05. Wire gauge :1.5-6mm² (AWG 16-10)
06. Rohs Compliance
07. General tolerances: DIN ISO 2768-m

DETACHED LISTS			
PART NO.:	/	NINGBO DEGSON ELECTRICAL CO., LTD	
APPR: Huang JS 2016.08.08	NAME:	40A-Female Contacts	
CHKD: Yang SH 2016.08.08	TITLE: CUSTOMER DRAWING	REV	DO
DRFT: Zhou YZ 2016.08.08	DRAWING NO.:	1/1	1
THIRD ANGLE PROJECTION	SCALE	5:1	1


REVISION RECORD				
REV	ECN	DESCRIPTION	DRFT	DATE

Contacts, silver-plated	(∅A)	Wire gauge		Recommended stripping length
		(mm ²)	(AWG)	
Type of products				
10A-SF-0.37	0.9	0.14-0.37	26-22	8mm
10A-SF-0.5	1.1	0.50	20	8mm
10A-SF-0.75	1.3	0.75	18	8mm
10A-SF-1.0	1.45	1.00	18	8mm
10A-SF-1.5	1.75	1.50	16	8mm
10A-SF-2.5	2.25	2.50	14	6mm



Crimp contacts

01. Material :Copper alloy
02. Surface :hard-silver plated
03. Contact resistance : $\leq 3m\Omega$
04. Terminal :Crimp connection
05. Wire gauge : 0.37-2.5mm² (AWG 22-14)
06. Rohs Compliance
07. General tolerances: DIN ISO 2768-m

DETACHED LISTS					
PART NO.:	/	 宁波高松电子有限公司 NINGBO DEGSON ELECTRICAL CO., LTD			
APPR: Huang JS 2016.08.08					
CHKD: Yang SH 2016.08.08					
DRFT: Zhou YZ 2016.08.08		TITLE: CUSTOMER DRAWING	REV	DO	
		DRAWING NO.:	/	SHEET	1/1
		THIRD ANGLE PROJECTION	DO NOT SCALE DRAWING	SCALE	5:1