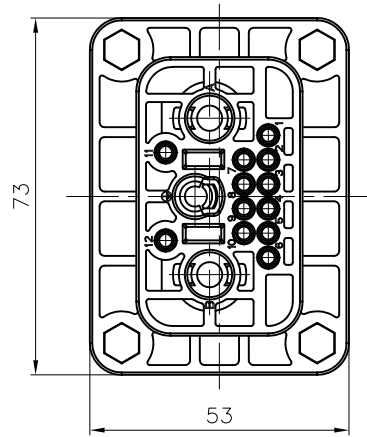
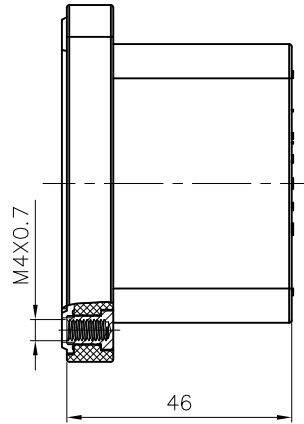
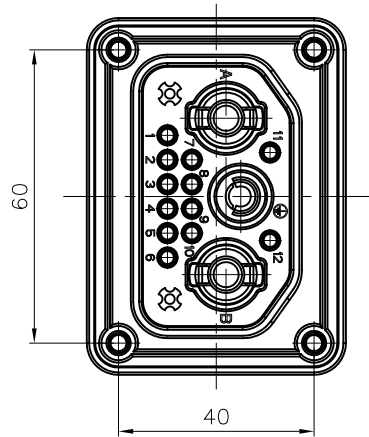
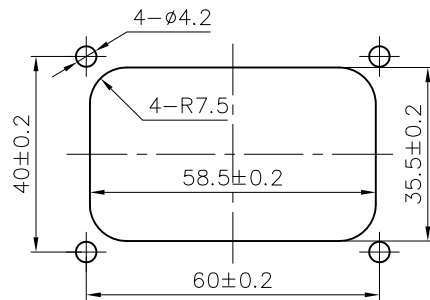


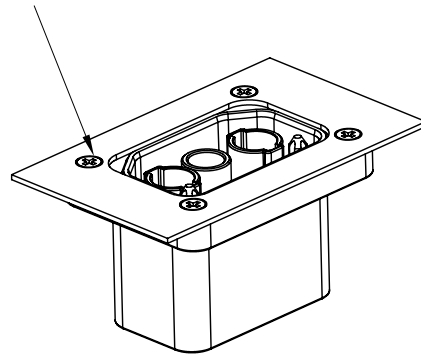
Transfer or duplication of this document as well as the utilization or communication of its contents are prohibited unless explicit authorization is granted. Violations will be liable for compensation. All rights reserved for patent, utility, model or designs registrations. 除非给予明确授权，否则禁止转让、复制、利用、交还本文件的内容。侵犯者将承担法律责任。本公司保留对涉及发明、实用新型和外观设计的所有权利。



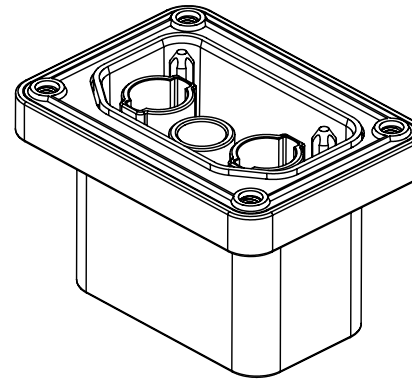
- 注:
1. 推荐使用M4*0.7(L=8mm)平头螺丝;
 2. 面板开孔倒角根据使用的螺丝进行加工;
 3. 面板厚度1.5~2mm;



Panel cut out 1:1.5



安装示意图



Technical characteristics:

Specifications
 DIN EN 60 664-1
 DIN EN 61 984

Inserts

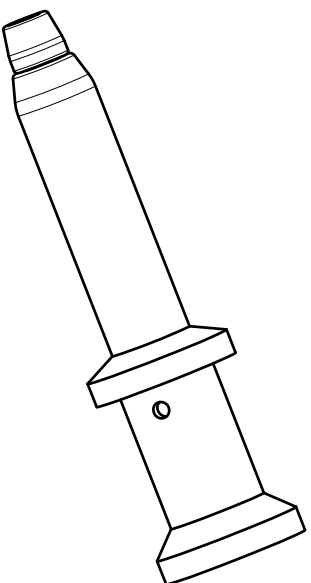
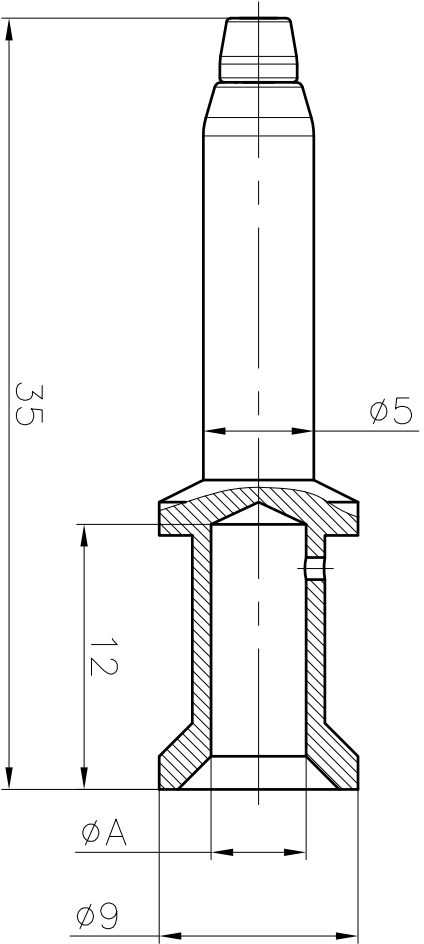
01. Number of contacts :2/12+PE
02. Power area:
 - . Rated Current :70A
 - . Rated Voltage :1000V
 - . Pollution degree :3
 - . Rated impulse voltage :8KV
03. Signal area:
 - . Rated Current :5A
 - . Rated Voltage :50V
 - . Pollution degree :3
 - . Rated impulse voltage :0.8KV
04. Insulation resistance : $\geq 10^{10} \Omega$
05. Material: Polyamide
06. Rated voltage acc. to UL/CSA:600/50V
07. Limiting temperatures : $-40^{\circ}\text{C} \sim +125^{\circ}\text{C}$
08. Flammability acc. to UL94:V0
09. Mechanical working life (mating cycles) : ≥ 500
10. Terminal :Crimp terminal
11. Wire gauge:
 - Power are :10~16mm² (AWG 8~6)
 - Signal area:0.14~2.5mm² (AWG 26~14)
 - Ground conductor:1.5~6mm² (AWG 16~10)
12. Tightening torque :M4/1.2N.m
13. Rohs Compliance
14. General tolerances:DIN ISO 2768-c

REV	ECN	DESCRIPTION	DRFT	DATE

MATERIAL: /		SURFACE: /	
MAT NO.:		宁波高松电子有限公司 NINGBO DEGSON ELECTRICAL CO., LTD	
STATUS: /			
APPD: Song ZG 2023.01.05		NAME: DK-03/12-MC	
CHKD: Yang SH 2023.01.05		DRAWING NO.:	
DRFT: Chen HK 2023.01.05		REV DO	
SIZE: A4 $\leftarrow \frac{\text{mm}}{\text{inch}} \rightarrow$		TYPE: CUSTOMER DRAWING SCALE: 1:1.5 SHEET 1/1	

FOR-1755 Rev.1.7

Contacts, silver-plated	(ØA)	Wire gauge		Recommended stripping length
		(mm ²)	(AWG)	
Type of products				
DK-70A-SM-10-镀银	4.3	10	8	12mm
DK-70A-SM-16-镀银	5.5	16	6	12mm



- Crimp contacts
01. Material :Copper alloy
 02. Surface :silver plated
 03. Contact resistance : $\leq 1m\Omega$
 04. Terminal :Crimp connection
 05. Wire gauge : 10mm² or 16mm² (8AWG or 6AWG)
 06. Rohs Compliance
 07. General tolerances: DIN ISO 2768-m

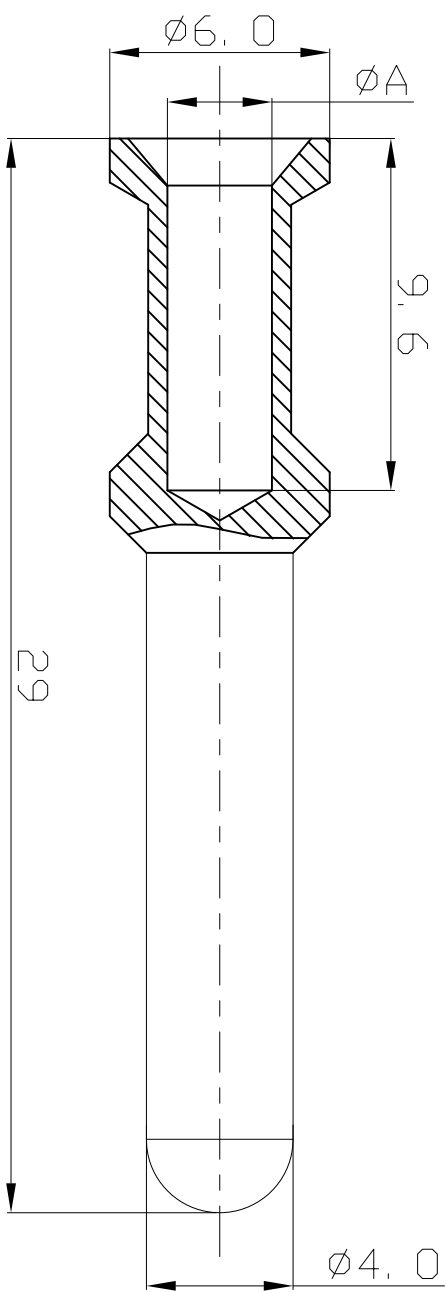
REV	ECN	DESCRIPTION	DRAFT	DATE
1				
2				

		MATERIAL:	/	SURFACE/COLOR:	/
		MAT NO./REV:	D0	MAT STATUS:	/
APPD:	Song ZG 2023.07.31	NAME:	DK-70A-SM-xx-镀银		
CHKD:	Yang SH 2023.07.31	DRAWING NO.:	/		
DRAFT:	Zhou YZ 2023.07.31	TYPE:	CUSTOMER DRAWING	DRAWING STATUS	/
		SCALE	1:1		
		SHEET	1/1		

Contacts, silver-plated

Type of products	(ØA)	Wire gauge		Recommended stripping length
		(mm ²)	(AWG)	
40A-SM-1.5	1.75	1.5	16	9.0mm
40A-SM-2.5	2.25	2.5	14	9.0mm
40A-SM-4.0	2.85	4.0	12	9.6mm
40A-SM-6.0	3.5	6.0	10	9.6mm

REVISION RECORD			
REV	ECN	DESCRIPTION	DRFT DATE



Crimp contacts

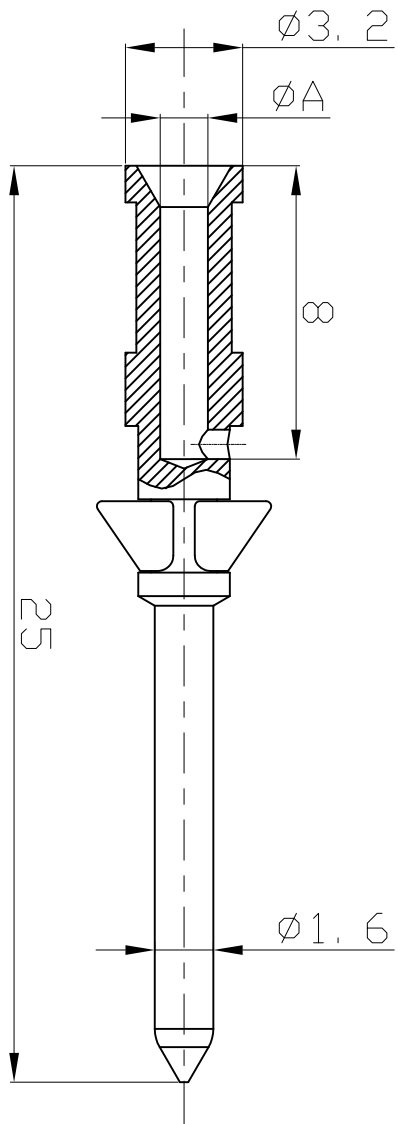
- 01. Material :Copper alloy
- 02. Surface :hard-silver plated
- 03. Contact resistance : $\leq 0.3m\Omega$
- 04. Terminal :Crimp connection
- 05. Wire gauge : 1.5-6mm² (AWG 16-10)
- 06. Rohs Compliance
- 07. General tolerances: DIN ISO 2768-m

PART NO.: /		NINGBO DEGSON ELECTRICAL CO., LTD 宁波高松电子有限公司	
APPR: Huang JS 2016.08.08		NAME:	
CHKD: Yang SH 2016.08.08		TITLE: CUSTOMER DRAWING	
DFT: Zhou YZ 2016.08.08		DRAWING NO.: /	
THIRD ANGLE PROJECTION		DO NOT SCALE DRAWING	
REV	DO	REV	DO
SHEET	SCALE	SHEET	SCALE
1/1	5:1	1/1	5:1

A 8 7 6 5 4 3 2 1

REVISION RECORD			
REV	ECN	DESCRIPTION	DRFT DATE

Contacts, silver-plated	(∅A)	Wire gauge		Recommended stripping length
		(mm ²)	(AWG)	
10A-SM-0.37	0.9	0.14-0.37	26-22	8mm
10A-SM-0.5	1.1	0.50	20	8mm
10A-SM-0.75	1.3	0.75	18	8mm
10A-SM-1.0	1.45	1.00	18	8mm
10A-SM-1.5	1.75	1.50	16	8mm
10A-SM-2.5	2.25	2.50	14	6mm



Crimp contacts

- 01. Material :Copper alloy
- 02. Surface :hard-silver plated
- 03. Contact resistance : $\leq 3m\Omega$
- 04. Terminal :Crimp connection
- 05. Wire gauge :0.37-2.5mm² (AWG 22-14)
- 06. Rohs Compliance
- 07. General tolerances: DIN ISO 2768-m

PART NO.: /		NINGBO DEGSON ELECTRICAL CO., LTD 宁波高松电子有限公司	
APPRD: Huang JS 2016.08.08		NAME: 10A-Male Contacts	
CHKD: Yang SH 2016.08.08		TITLE: CUSTOMER DRAWING	
DRFT: Zhou YZ 2016.08.08		DRAWING NO.: /	
THIRD ANGLE PROJECTION		DO NOT SCALE DRAWING	
		REV	DO
		SHEET	1/1
		SCALE	5:1

A 8 7 6 5 4 3 2 1