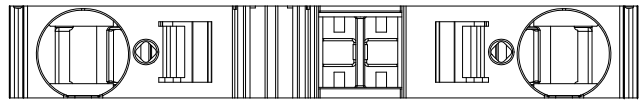
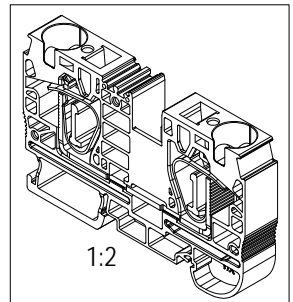
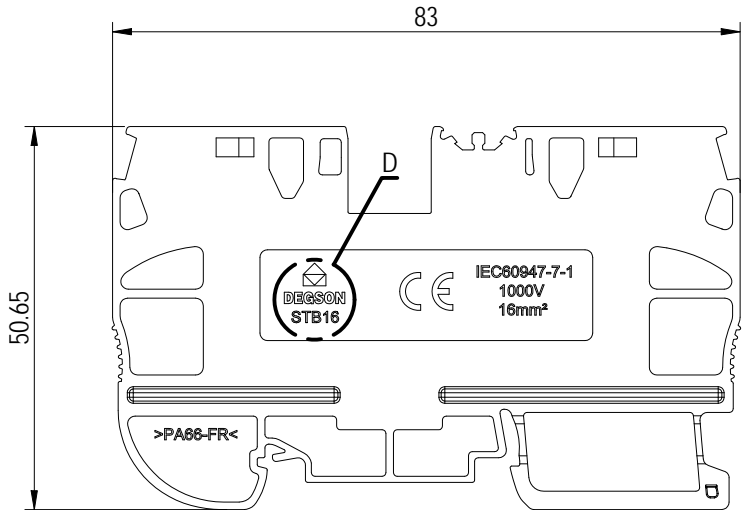
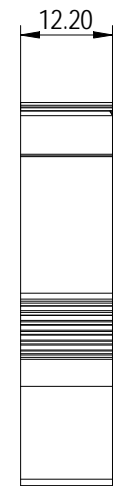
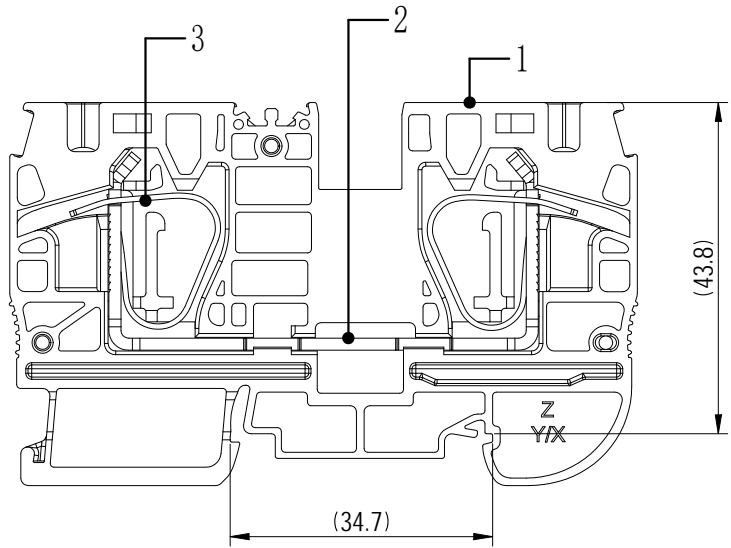


Transfer or duplication of this document as well as the utilization or communication of its content are prohibited unless express and authorized in writing. All rights reserved for patent, utility model or design registrations. 除专利、实用新型、外观设计、发明专利、软件著作权、集成电路布图设计专有权、商业秘密和未公开的文档的所有权外，其他权利均保留。



未注公差/General tolerances (mm)											0.1/10			
0 ~ 3	>3 ~ 6	>6 ~ 10	>10 ~ 18	>18 ~ 30	>30 ~ 50	>50 ~ 80	>80 ~ 120	>120 ~ 180	>180 ~ 250	>250 ~ 315		>315 ~ 400	>400 ~ 500	>500
±0.12	±0.18	±0.22	±0.26	±0.31	±0.37	±0.57	±0.80	±0.93	±1.05	±1.15	±1.60	±2.20	±2.50	±2'



3	Spring	Stainless	/
2	Current Carrier	Copper Alloy	Sn Plated
1	Housing	PA66	UL94 V-0
ITEM	NAME OF PART	MATERIAL	NOTES

UL 标准/UL Standard:	B	C	D
额定电压/电流/Rated Voltage(V)/Current(A)	/	/	/
IEC 标准/IEC Standard:			
过压类别/Ovenvoltage Category/污染等级/Pollution Degree	III/3	III/2	II/2
额定电压/电流/Rated Voltage(V)/Current(A)	/	/	/
额定脉冲电压(KV)/Rate Impulse Voltage(KV)	8	8	8
螺丝扭矩/Torque Tightening(N·m/Lb.in)	/		
线径范围(硬线和软线)/Wire Range(rigid and flexible)(AWG/mm²)	24~4 / 0.2~25		
间距/Pitch(mm)/线数范围/Poles	12.20/N=01P		
剥线长度/Stripping length(mm)	17~18		
使用温度范围/Operating temperature(°C)	-60~+105		
符合RoHS环保要求/Conform to RoHS	Yes		

	MATERIAL:	SURFACE/COLOR:
	MAT NO./REV: 1110000044-1/00	MAT STATUS: 设计放行
APPD: PENG M 2024.06.04	NAME	
CHKD: GAO WG 2024.06.04	STB16-01P-1Y-00Z (H)	
DRFT: GAO WG 2024.06.04	DRAWING NO. 200283446	TYPE CUSTOMER DRAWING
	DRAWING STATUS 已发布	SCALE 2:1
		SHEET 1/1

01	ECN	Update 2D according to the latest design	GAO WG	2024.06.04
REV	ECN	DESCRIPTION	DRFT	DATE