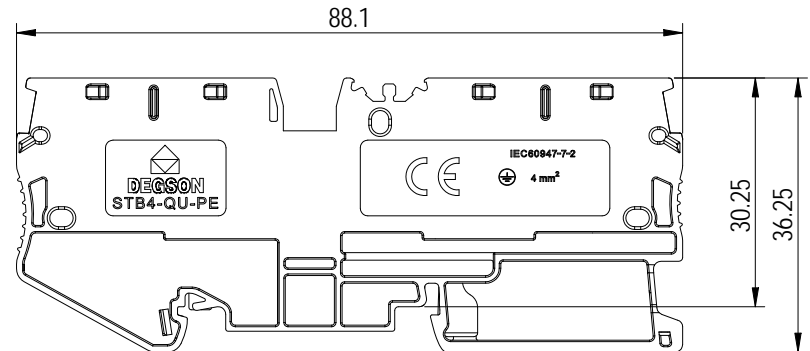
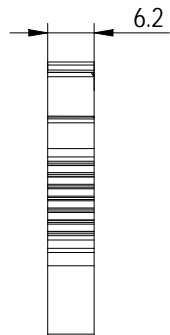
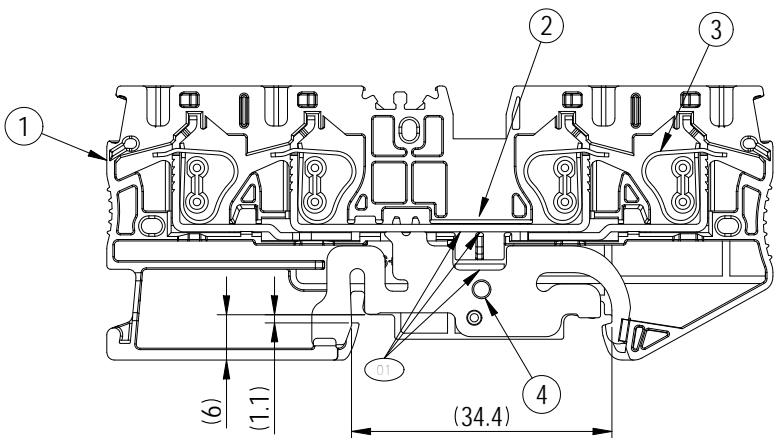
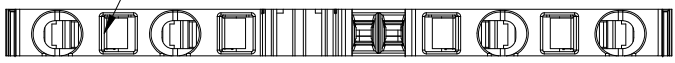


Transfer or duplication of this document as well as the utilization or communication of its contents are prohibited unless authorized in advance. Violations will be held for compensation. All rights reserved for patent, utility model or design registrations. 除专利申明权外, 复制、引用、发布本文件的任何行为, 未经事先书面授权, 均属于侵权行为, 公司将保留追究法律责任的权利。

Screwdriver hole: 0.6x3.5 screwdriver is recommended



未注公差/General tolerances(mm)													0.1/10	
0	>3	>6	>10	>18	>30	>50	>80	>120	>180	>250	>315	>400		>500
~3	~6	~10	~18	~30	~50	~80	~120	~180	~250	~315	~400	~500	~500	
±0.12	±0.18	±0.22	±0.26	±0.31	±0.37	±0.57	±0.80	±0.93	±1.05	±1.15	±1.60	±2.20	±2.50	±2'
UL 标准/UL Standard:											B	C	D	
额定电压/电流/Rated Voltage(V)/Current(A)											/	/	/	
IEC 标准/IEC Standard:														
过压类别/Overvoltage Category/污染等级/Pollution Degree											III/3	III/2	II/2	
额定电压/电流/Rated Voltage(V)/Current(A)											/	/	/	
额定脉冲电压(KV)/Rate Impulse Voltage(KV)											8	/	/	
线径范围(硬线和软线)/Wire Range(rigid and flexible)(AWG/mm²)											0.08~4, 6(sol) / 28~12, 10(sol)			
间距/Pitch(mm)/线数范围/Poles											6.2/N=01P			
剥线长度/Stripping length(mm)											8~10			
使用温度范围/Operating temperature(°C)											-60~+105			
符合RoHS 环保要求/Conform to RoHS											Yes			

4	PE	Copper Alloy	Sn Plated
3	Spring	Stainless	/
2	Current Carrier	Copper Alloy	Sn Plated
1	Housing	PA66	UL94 V-0
ITEM	NAME OF PART	MATERIAL	NOTES

		MATERIAL:		SURFACE/COLOR:	
		MAT NO./REV: 1110000025-1 / 00.01		MAT STATUS: 小批量	
APPD: PENG M	2024.04.23	NAME			
CHKD: GAO WG	2024.04.23	STB4-QU-PE-01P-1C-00Z (H)			
DRFT: LIU Y	2024.04.23				
DRAWING NO. 200274363	TYPE CUSTOMER DRAWING	DRAWING STATUS 已发布	SCALE 1:1	SHEET 1/1	

01		Change bridge, update current_carrier, housing and PE structure.	LIU Y	2024.04.23	DRFT: LIU Y	2024.04.23
REV	ECN	DESCRIPTION	DRFT	DATE	(inch)	