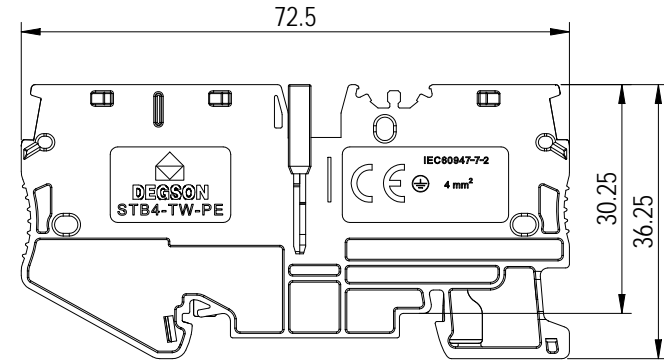
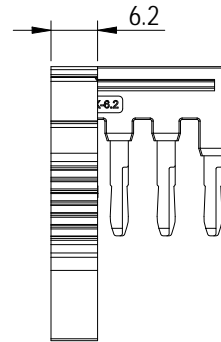
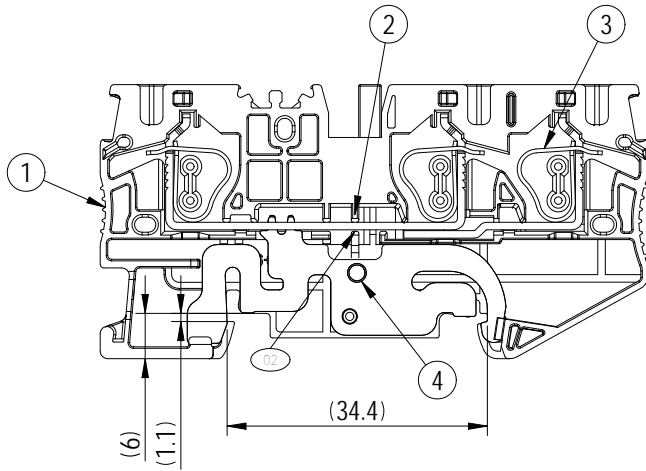


未注公差/General tolerances (mm)													0.1/10
0	>3	>6	>10	>18	>30	>50	>80	>120	>180	>250	>315	>400	
~3	~6	~10	~18	~30	~50	~80	~120	~180	~250	~315	~400	~500	~500
±0.12	±0.18	±0.22	±0.26	±0.31	±0.37	±0.57	±0.80	±0.93	±1.05	±1.15	±1.60	±2.20	±2.50
UL 标准/UL Standard:											B	C	D
额定电压/电压/Rated Voltage(V)/Current(A)											/	/	/
IEC 标准/IEC Standard:													
过压类别/Over voltage Category/污染等级/Pollution Degree											III/3	III/2	II/2
额定电压/电压/Rated Voltage(V)/Current(A)											/	/	/
额定脉冲电压(KV)/Rate Impulse Voltage(KV)											8	/	/
线径范围(硬线和软线)/Wire Range(rigid and flexible)(AWG/mm²)											0.08~4, 6(sol) / 28~12,10(sol)		
间距/Pitch(mm)/线数范围/Poles											6.2/N=01P		
剥线长度/Stripping length(mm)											8~10		
使用温度范围/Operating temperature(°C)											-60~+105		
符合RoHS 环保要求/Conform to RoHS											Yes		



4	PE	Copper Alloy	Sn Plated
3	Spring	Stainless	/
2	Current Carrier	Copper Alloy	Sn Plated
1	Housing	PA66	UL94 V-0
ITEM	NAME OF PART	MATERIAL	NOTES

		MATERIAL:		SURFACE/COLOR:	
		MAT NO./REV: 1110000021-1 / 01.02		MAT STATUS: 小批量	
APPD: PENG M	2024.04.23	NAME			
CHKD: GAO WG	2024.04.22	STB4-TW-PE-01P-1C-00Z (H)			
DRFT: LIU Y	2024.04.22	DRAWING NO.	TYPE	DRAWING STATUS	SCALE
		200268697	CUSTOMER DRAWING	已发布	2:1
					SHEET 1/1

01		Change bridge, update current_carrier, housing and PE structure.	LIU Y	2024.04.22
REV	ECN	DESCRIPTION	DRFT	DATE

Transfer or duplication of this document as well as the utilization or communication of its contents are prohibited unless authorized in writing. All rights reserved for patent, utility model or design registrations. 除专利、实用新型、外观设计、发明专利、软件著作权、集成电路布图设计专有权、商业秘密和未公开的文档中所载内容外，其他所有内容均受知识产权保护。