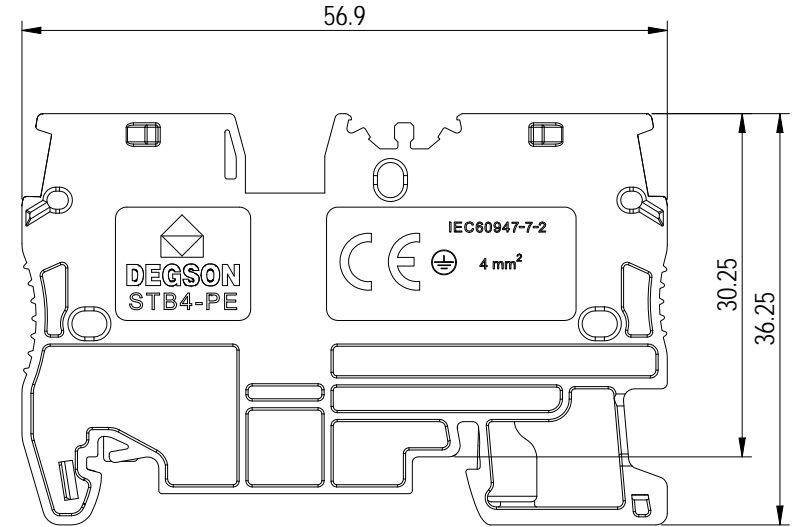
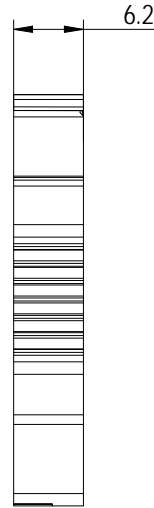
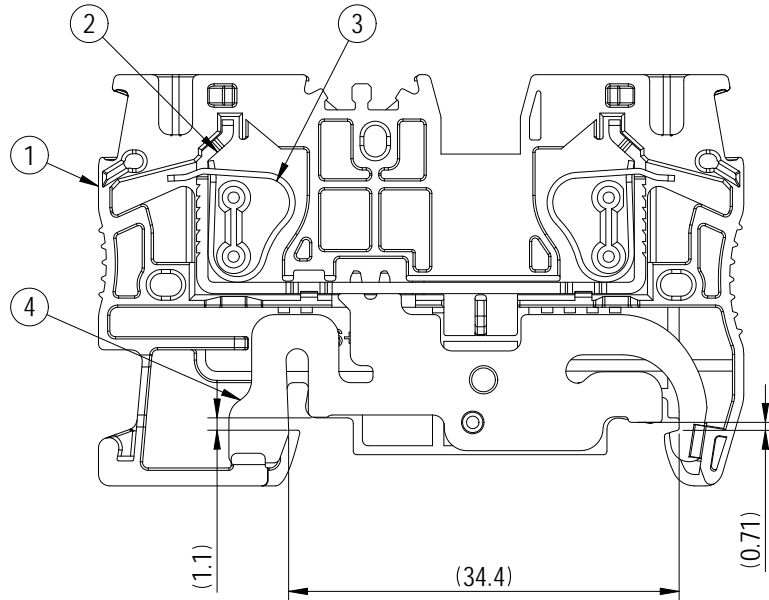


未注公差/General tolerances(mm)													0.1/10 ±2'
0 ~ 3	>3 ~ 6	>6 ~ 10	>10 ~ 18	>18 ~ 30	>30 ~ 50	>50 ~ 80	>80 ~ 120	>120 ~ 180	>180 ~ 250	>250 ~ 315	>315 ~ 400	>400 ~ 500	
±0.12	±0.18	±0.22	±0.26	±0.31	±0.37	±0.57	±0.80	±0.93	±1.05	±1.15	±1.60	±2.20	±2.50
UL 标准/UL Standard:										B	C	D	
额定电压/电压/Rated Voltage(V)/Current(A)										/	/	/	
IEC 标准/IEC Standard:													
过压类别/Over voltage Category /污染等级/Pollution Degree										III/3	III/2	II/2	
额定电压/电压/Rated Voltage(V)/Current(A)										/	/	/	
额定脉冲电压(KV)/Rate Impulse Voltage(KV)										8	/	/	
线径范围(硬线和软线)/Wire Range (rigid and flexible)(AWG/mm <sup>2</sup> )										0.08~4, 6(sol) / 28~12, 10(sol)			
间距/Pitch(mm)/线数范围/Poles										6.2/N=01P			
剥线长度/Stripping length(mm)										8~10			
使用温度范围/Operating temperature(°C)										-60~+105			
符合RoHS环保要求/Conform to RoHS										Yes			



4	PE	Copper Alloy	Sn Plated
3	Spring	Stainless	/
2	Current Carrier	Copper Alloy	Sn Plated
1	Housing	PA66	UL94 V-0
ITEM	NAME OF PART	MATERIAL	NOTES

		MATERIAL:	SURFACE/COLOR:	
APPD: PENG M	2024.11.27	MAT NO./REV: 1110000011-1 / 01.02	MAT STATUS: 批量	
CHKD: GAO WG	2024.11.27	NAME		
DRFT: JIANG WT	2024.11.27	STB4-PE-01P-1C-00Z (H)		
REV	ECN	DRAWING NO. 200231245	TYPE CUSTOMER DRAWING	DRAWING STATUS 已发布
03			SCALE 1.5:1	SHEET 1/1

03		The product is concluded and the mass production drawings are released.	JIANG WT	2024.11.27
REV	ECN	DESCRIPTION	DRFT	DATE

Transfer or duplication of this document as well as the utilization or communication of its contents are prohibited unless authorized in writing by DEGSON. All rights reserved for patent, utility model or design registrations. 除专利、实用新型、外观设计、发明专利、软件著作权、商标、注册、其他知识产权外，所有权利均归 DEGSON 公司保留。未经书面授权，不得复制或传播。