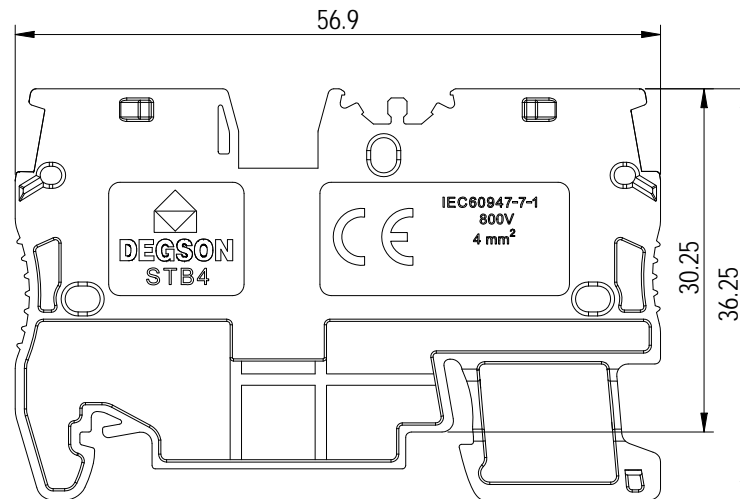
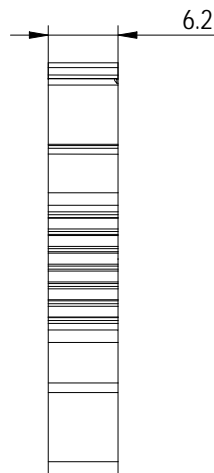
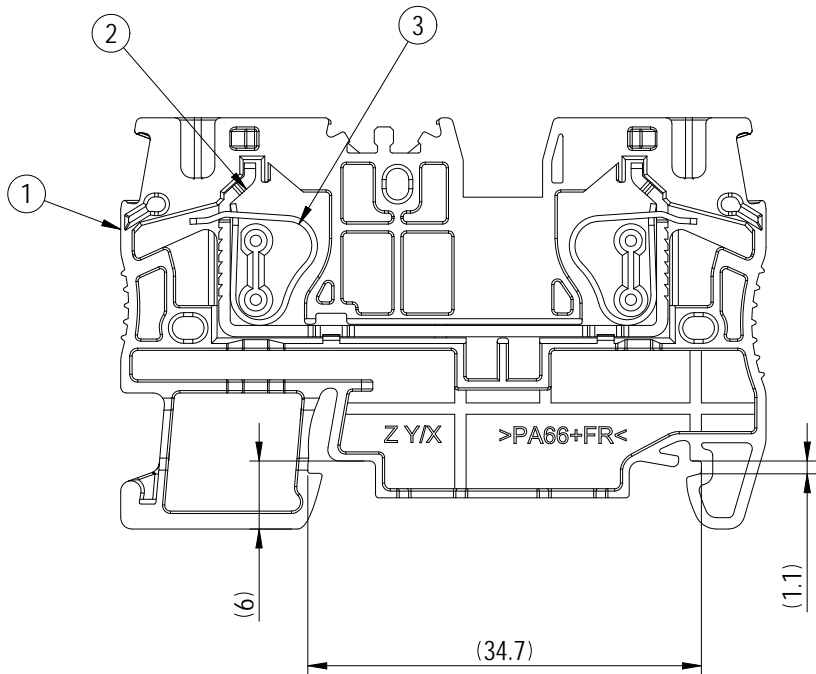


未注公差/General tolerances (mm)											0.1/10		
0	>3	>6	>10	>18	>30	>50	>80	>120	>180	>250		>315	>400
~3	~6	~10	~18	~30	~50	~80	~120	~180	~250	~315	~400	~500	~500
±0.12	±0.18	±0.22	±0.26	±0.31	±0.37	±0.57	±0.80	±0.93	±1.05	±1.15	±1.60	±2.20	±2.50

UL 标准/UL Standard:		B	C	D
额定电压/电流/Rated Voltage(V)/Current(A)		600/30	600/30	/
IEC 标准/IEC Standard:				
过压类别/Over voltage Category/污染等级/Pollution Degree		III/3	III/2	II/2
额定电压/电流/Rated Voltage(V)/Current(A)		800/32	/	/
额定脉冲电压(KV)/Rate Impulse Voltage(KV)		8	/	/
线径范围(硬线和软线)/Wire Range(rigid and flexible)(AWG/mm ²)		0.08~4, 6(sol) / 28~12,10(sol)		
间距/Pitch(mm)/线数范围/Poles		6.2/N=01P		
剥线长度/Stripping length(mm)		8~10		
使用温度范围/Operating temperature(°C)		-60~+105		
符合RoHS环保要求/Conform to RoHS		Yes		



3	Spring	Stainless	/
2	Current Carrier	Copper Alloy	Sn Plated
1	Housing	PA66	UL94 V-0
ITEM	NAME OF PART	MATERIAL	NOTES

DEGSO		MATERIAL:	SURFACE/COLOR:		
APPD: PENG M 2024.11.27		MAT NO./REV: 1110000010-1 / 01.02		MAT STATUS: 批量	
CHKD: GAO WG 2024.11.27		NAME			
DRFT: JIANG WT 2024.11.27		STB4-01P-11-00Z (H)			
DRAWING NO.	TYPE	DRAWING STATUS	SCALE	SHEET	
200230626	CUSTOMER DRAWING	已发布	1:1	1/2	

03	The product is concluded and the mass production drawings are released	JIANG WT	2024.11.27	
REV	ECN	DESCRIPTION	DRFT	DATE

Transfer or duplication of this document as well as the utilization or communication of its contents are prohibited unless authorized in writing by Degson. All rights reserved for patent. 除专利号明确标注外，其他标注均属于公司机密。未经授权，不得复制或传播。 除专利号明确标注外，其他标注均属于公司机密。 未经授权，不得复制或传播。