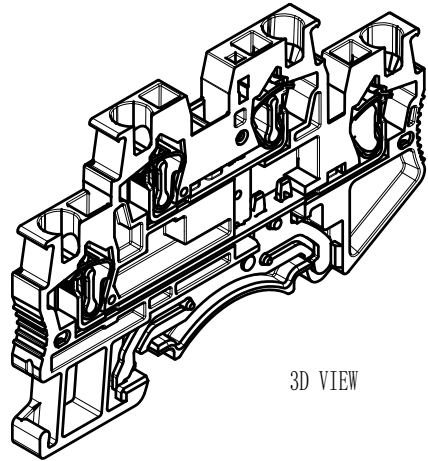
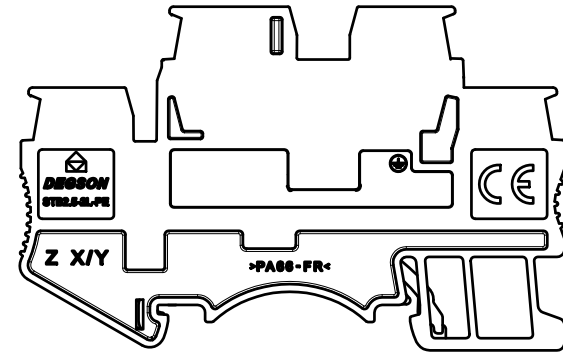
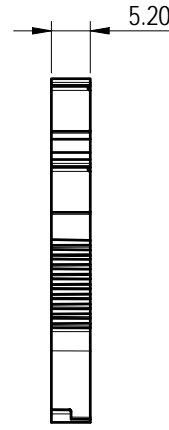
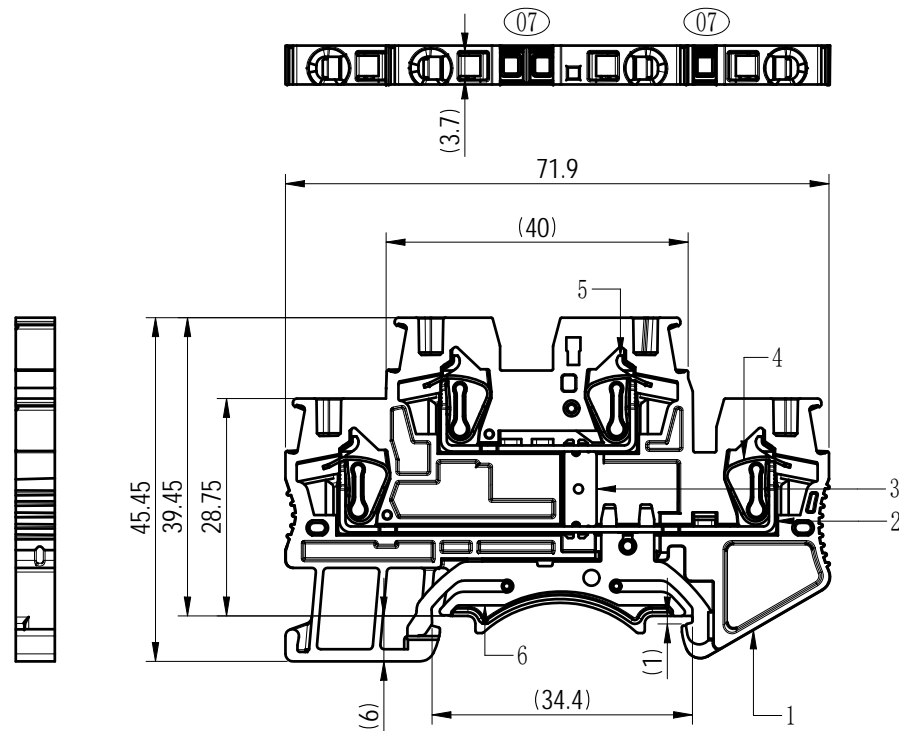


未注公差/General tolerances (mm)													0.1/10	
0	>3	>6	>10	>18	>30	>50	>80	>120	>180	>250	>315	>400		
~3	~6	~10	~18	~30	~50	~80	~120	~180	~250	~315	~400	~500	>500	
±0.12	±0.18	±0.22	±0.26	±0.31	±0.37	±0.57	±0.80	±0.93	±1.05	±1.15	±1.60	±2.20	±2.50	±2'



3D VIEW

ITEM	NAME OF PART	MATERIAL	NOTES
6	Current Carrier - Grounding	Copper	Sn Plated
5	Current Carrier - Top	Copper	Sn Plated
4	Spring	Stainless Steel	/
3	Current Carrier - Middle	Copper	Sn Plated
2	Current Carrier - Bottom	Copper	Sn Plated
1	Housing	PA66	UL94 V-0

过压类别/Overvoltage Category/污染等级/Pollution Degree	III/3	III/2	II/2
额定电压/电流/Rated Voltage(V)/Current(A)	/	/	/
额定脉冲电压(KV)/Rate Impulse Voltage(KV)	6	/	/
线径范围(硬线和软线)/Wire Range (rigid and flexible)(AWG/mm ²)	28~12 / 0.08~2.5 (Max:4mm ² Sol)		
间距/Pitch(mm)/线数范围/Poles	5.20/N=01P		
剥线长度/Stripping length(mm)	8~10		
使用温度范围/Operating temperature(°C)	-40~+105		
符合RoHS环保要求/Conform to RoHS	Yes		
标准颜色编号/Standard color number: PANTONE / RAL	/		

		MATERIAL:	SURFACE/COLOR:	
MAT NO./REV: 11030000734-1 / 03.01		MAT STATUS: 批量		
APPD: PENG M	2024.04.30	NAME		
CHKD: GAO WG	2024.04.29	STB2.5-2L-PE-01P-1C-00A&Z (H)		
DRFT: GAO WG	2024.04.29	DRAWING NO.	TYPE	DRAWING STATUS
A4		200077978	CUSTOMER DRAWING	已发布
		SCALE	SHEET	
		1:1	1/1	

REV	ECN	DESCRIPTION	DRFT	DATE
07		Increase bridge connection holes;	GAO WG	2024.04.29

Transfer or duplication of this document as well as the utilization or communication of its content are prohibited unless authorized in writing by DEGSON. All rights reserved for patent, utility model or design registrations. 除专利权明确标注外，其他内容均受法律保护。未经授权，不得复制或传播。DEGSON 保留所有权利。