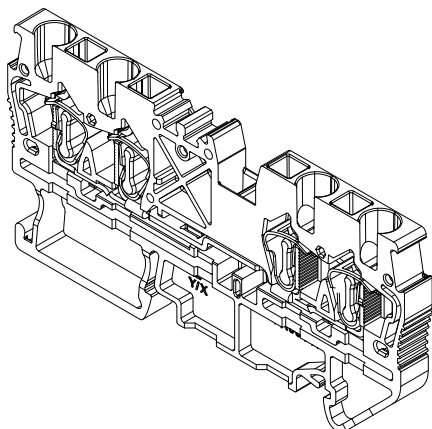
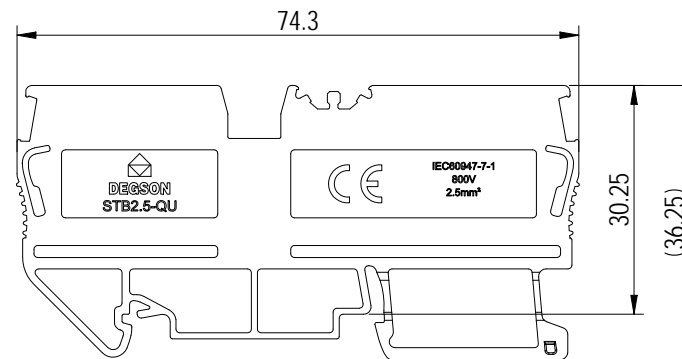
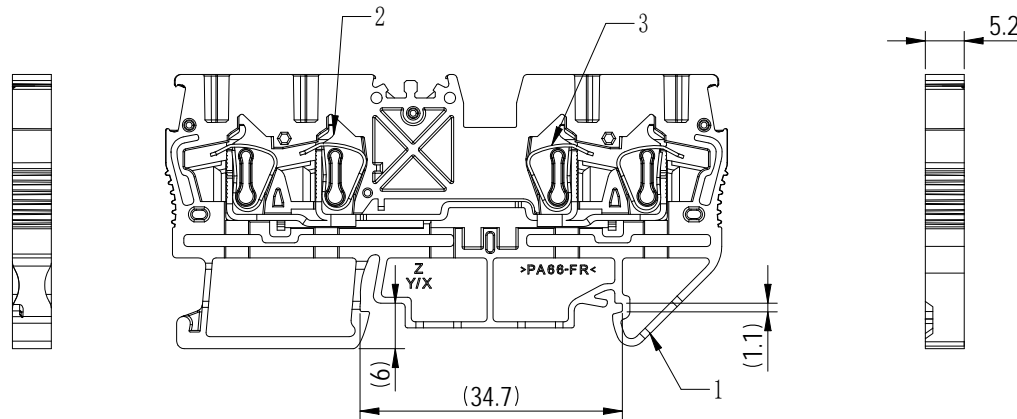


Screwdriver hole: 0.6x3.6 elbow screwdriver is recommended



未注公差/General tolerances (mm)													0.1/10
0	>3	>6	>10	>18	>30	>50	>80	>120	>180	>250	>315	>400	
~3	~6	~10	~18	~30	~50	~80	~120	~180	~250	~315	~400	~500	>500
±0.12	±0.18	±0.22	±0.26	±0.31	±0.37	±0.57	±0.80	±0.93	±1.05	±1.15	±1.60	±2.20	±2.50



3	Spring	Stainless	/
2	Current Carrier	Copper Alloy	Sn Plated
1	Housing	PA66	UL94 V-0
ITEM	NAME OF PART	MATERIAL	NOTES

UL 标准/UL Standard:		B	C	D
额定电压/电流/Rated Voltage(V)/Current(A)		600/20	600/20	600/5
IEC 标准/IEC Standard:				
过压类别/Overvoltage Category/污染等级/Pollution Degree		III/3	III/2	II/2
额定电压/电流/Rated Voltage(V)/Current(A)		800/24	/	/
额定脉冲电压(KV)/Rate Impulse Voltage(KV)		8	/	/
线径范围(硬线和软线)/Wire Range(rigid and flexible)(AWG/mm²)		硬线: 28~12 / 0.08~4.0 软线: 28~14 / 0.08~2.5		
间距/Pitch(mm)/线数范围/Poles		5.2/N=01P		
剥线长度/Stripping length(mm)		8~10		
使用温度范围/Operating temperature(°C)		-40~+105		
符合RoHS环保要求/Conform to RoHS		Yes		

		MATERIAL:		SURFACE/COLOR:		
		MAT NO./REV: 11030000818-1 / 01.03		MAT STATUS: 批量		
APPD: PENG M	2024.09.24	NAME				
CHKD: GAO WG	2024.09.23	STB2.5-QU-01P-11-00A&Z(H)				
DRFT: GAO WG	2024.09.23	DRAWING NO.	TYPE	DRAWING STATUS	SCALE	SHEET
		200134337	CUSTOMER DRAWING	已发布	1:1	1/1

07		Release mass production version:	GAO WG	2024.09.23
REV	ECN	DESCRIPTION	DRFT	DATE

Transfer or duplication of this document as well as the utilization or communication of its content are prohibited unless explicitly permitted. Violations will be held responsible. All rights reserved for patent, utility model or design registrations. 除专利、实用新型、外观设计、发明专利、软件著作权、集成电路布图设计专有权、商业秘密和未公开信息的所有权外，其他权利均归本公司所有。