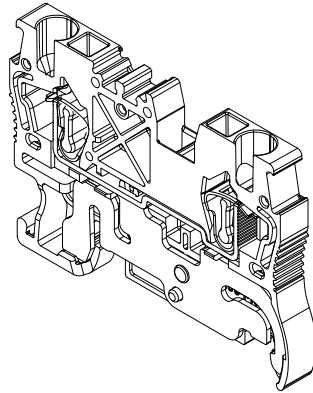
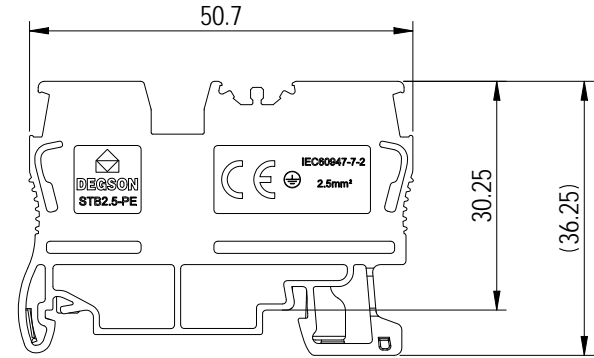
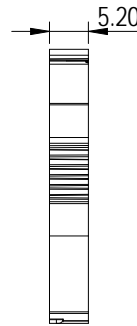
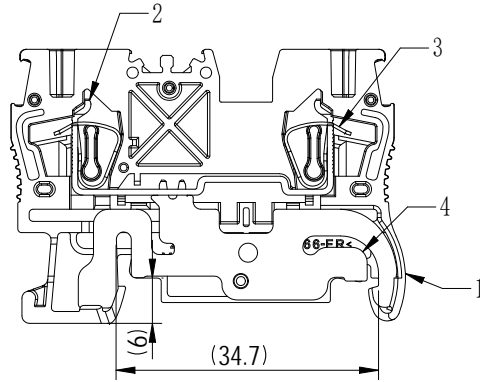


未注公差/General tolerances (mm)													0.1/10	
0	>3	>6	>10	>18	>30	>50	>80	>120	>180	>250	>315	>400		
~3	~6	~10	~18	~30	~50	~80	~120	~180	~250	~315	~400	~500	>500	
±0.12	±0.18	±0.22	±0.26	±0.31	±0.37	±0.57	±0.80	±0.93	±1.05	±1.15	±1.60	±2.20	±2.50	±2'

Screwdriver hole: 0.6x3.6 elbow screwdriver is recommended



ITEM	NAME OF PART	MATERIAL	NOTES
4	PE	Copper Alloy	Sn Plated
3	Spring	Stainless	/
2	Current Carrier	Copper Alloy	Sn Plated
1	Housing	PA66	UL94 V-0

UL 标准/UL Standard:	B	C	D
额定电压/电流/Rated Voltage(V)/Current(A)	/	/	/
IEC 标准/IEC Standard:			
过压类别/Overvoltage Category/污染等级/Pollution Degree	III/3	III/2	II/2
额定电压/电流/Rated Voltage(V)/Current(A)	/	/	/
额定脉冲电压(KV)/Rate Impulse Voltage(KV)	8	/	/
线径范围(硬线和软线)/Wire Range (rigid and flexible)(AWG/mm²)	28~12 / 0.08~2.5 Max. 4mm² (SOL)		
间距/Pitch(mm)/线数范围/Poles	5.2/N=01P		
剥线长度/Stripping length(mm)	8~10		
使用温度范围/Operating temperature(°C)	-40~+105		
符合RoHS环保要求/Conform to RoHS	Yes		

		MATERIAL:	SURFACE/COLOR:		
MAT NO./REV: 11030000832-1 / 00.02		MAT STATUS: 批量			
APPD: PENG M	2024.08.12	NAME			
CHKD: GAO WG	2024.08.12	STB2.5-PE-01P-1C-00Z (H)			
DRFT: GAO WG	2024.08.12	DRAWING NO.	TYPE	DRAWING STATUS	SCALE
A4		200171515	CUSTOMER DRAWING	已发布	1:1
(inch)				SHEET	1/1

REV	ECN	DESCRIPTION	DRFT	DATE
03		The project development has been completed.	GAO WG	2024.08.12

Transfer or duplication of this document as well as the utilization or communication of its contents are prohibited unless authorized in writing by Degson. All rights reserved for patent. 除专利申明外，其他内容均受法律保护。未经授权，不得复制或传播。如有侵权，请联系 Degson 公司。