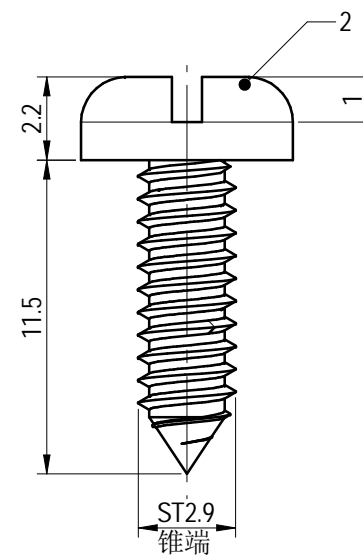
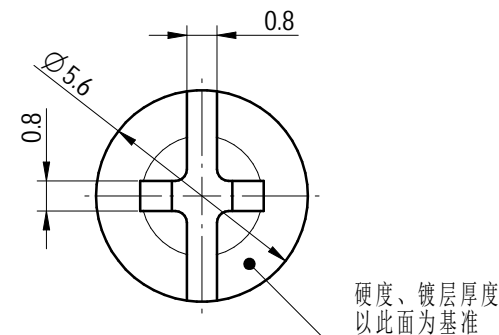
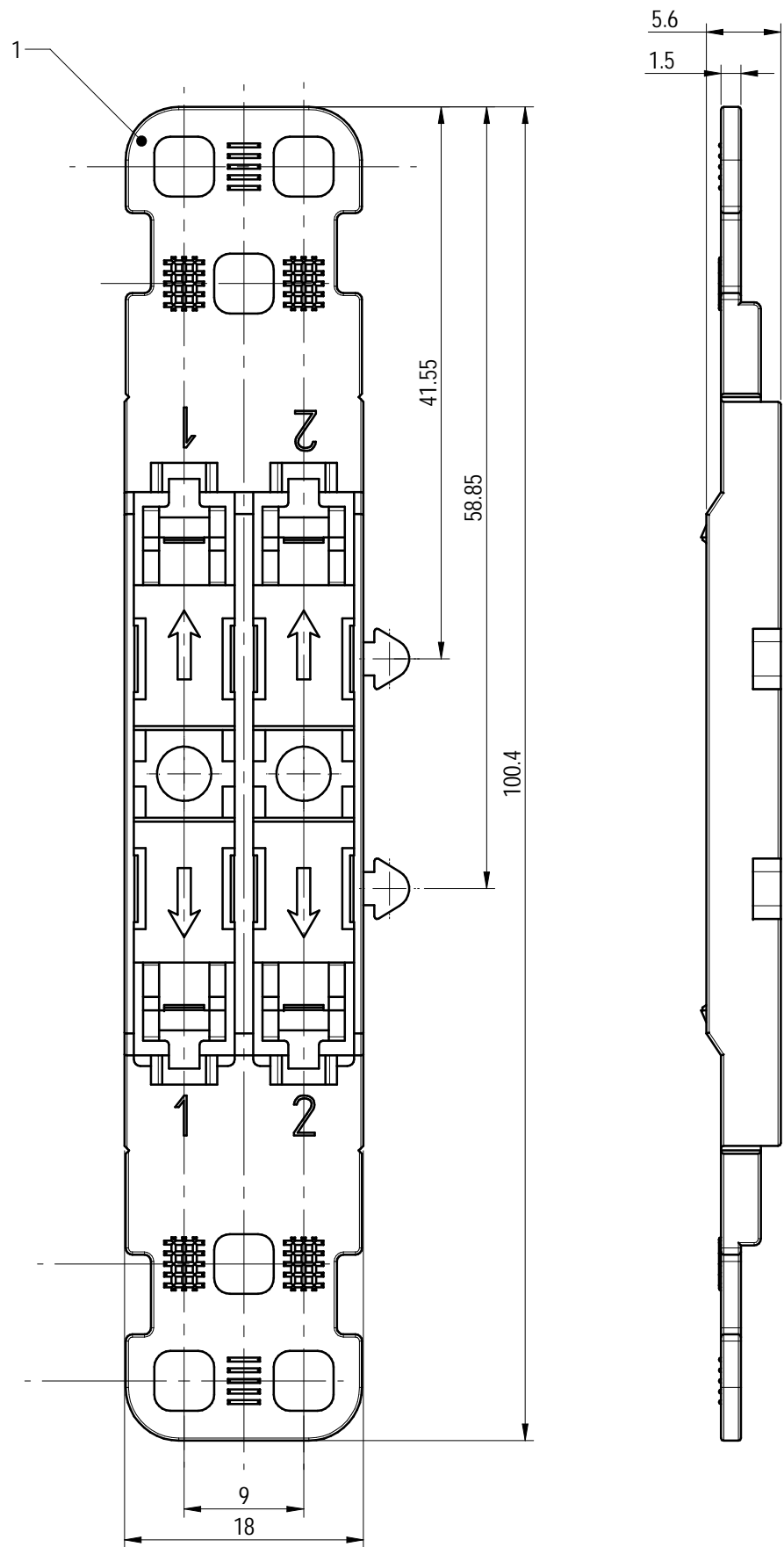


未注公差/General tolerances (mm)											0.1/10 ±2'		
0 ~ 3	>3 ~ 6	>6 ~ 10	>10 ~ 18	>18 ~ 30	>30 ~ 50	>50 ~ 80	>80 ~ 120	>120 ~ 180	>180 ~ 250	>250 ~ 315		>315 ~ 400	>400 ~ 500
±0.12	±0.18	±0.22	±0.26	±0.31	±0.37	±0.57	±0.80	±0.93	±1.05	±1.15	±1.60	±2.20	±2.50



2	Screw	Steel	Ni Plated
1	Housing	PA66	UL94V-0
ITEM	NAME OF PART	MATERIAL	NOTES
间距/Pitch(mm)/线数范围/Poles			9.00/N=02P
使用温度范围/Operating temperature(°C)			-40~+105
符合RoHS环保要求/Conform to RoHS			Yes

<b>DEGSON</b>		MATERIAL:	SURFACE/COLOR:						
APPD: 蓝贵凡	2024.07.05	MAT NO./REV:	/00 MAT STATUS: 小批量						
CHKD: 朱伟明	2024.07.05	NAME							
DRFT: 孙科豪	2024.07.05	DGBSC-ACC03-02P-1Y-00Z (H)							
REV	ECN	DESCRIPTION	DRFT	DATE	DRAWING NO.	TYPE	DRAWING STATUS	SCALE	SHEET
00					200290066	CUSTOMER DRAWING	已发布	1:1	1/1

Transfer or duplication of this document as well as the utilization or communication of its contents are prohibited unless explicit authorization is granted. Violations will be liable for compensation. All rights reserved for patent. 复制或再行使用本文件以及其内容之利用或传播，除非事先获得明确授权，否则均属侵权行为。本公司保留所有权利。未经许可，不得复制或再行使用本文件。本公司保留所有权利。