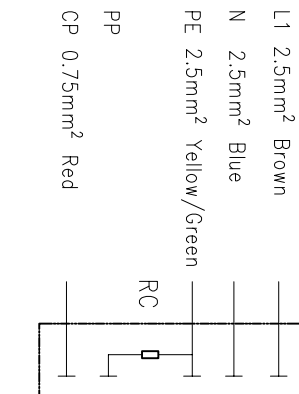
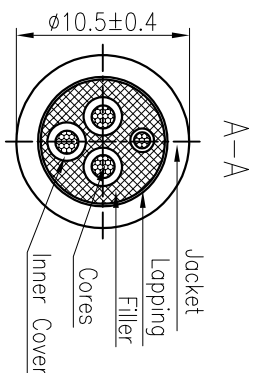


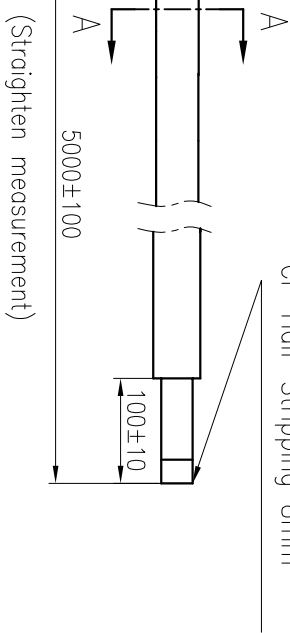
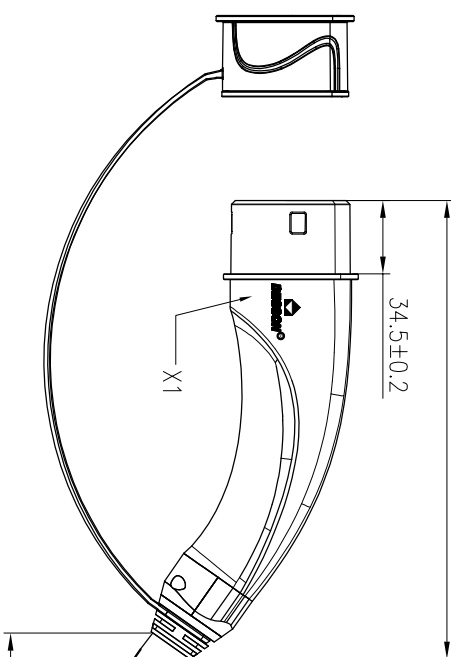
Wiring diagram



RC = 680Ω±3%



(215.1)



(Straighten measurement)

公差/General tolerances(mm)		0.1/10
0	>3	~
3	6	~
6	10	~
10	18	~
18	30	~
30	50	~
50	80	~
80	120	~
120	180	~
180	250	~
250	315	~
315	400	~
400	500	~
500	>500	~
±0.12	±0.18	±0.22
±0.26	±0.31	±0.37
±0.57	±0.80	±1.05
±1.51	±1.60	±2.20
±2.50		±2

X1

Laser Printing Front Note:

DEGSON®
Laser Printing Back Note(Arial):
 MEAC-S-020A-V22-03-5.0M-10AH
 20A 250V AC
 IEC 62196-2:2022
 IP67
 20xxxxxx-xxxx

额定电压/Rated voltage/Current	250V AC/20A
绝缘电阻/Insulation resistance	>100MΩ,500V DC 1min
耐压/Withstanding voltage	L, N and PE ,2500V AC 1min L and N ,2500V AC 1min
防护等级/Ingress protection	IP67
插拔寿命/Insertion/Pullout times	10,000 Times
插拔力/Insertion/Pullout force	<100N
使用温度范围/Operating temperature(°C)	-30~+50
线材规格/Cable specification	3*2.5mm ² +1*0.75mm ² Black
标准/Reference standard	IEC 62196-2:2022
符合RoHS环保要求/Conform to RoHS	Yes

REV	ECN	DESCRIPTION	DRAFT	DATE

DEGSON	MATERIAL:	SURFACE/COLOR:
APPD:	MAT NO./REV: D0-1	MAT STATUS:
CHKD:	NAME MEAC-S-020A-V22-03-5.0M-10A(H)	
DRAFT: Zhang H	DRAWING NO.	TYPE
A4		CUSTOMER DRAWING
2023.02.07		DRAWING STATUS
1/1		SCALE
		SHEET
		1/1