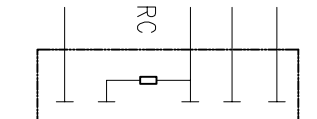
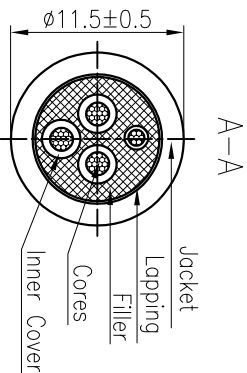


Wiring diagram

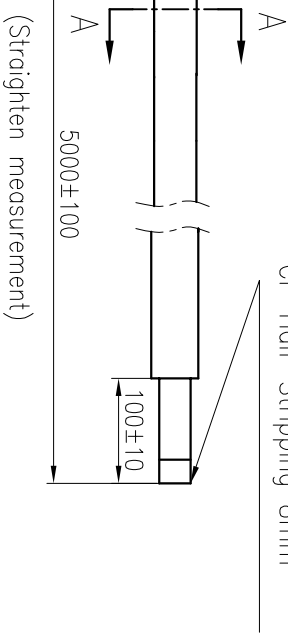
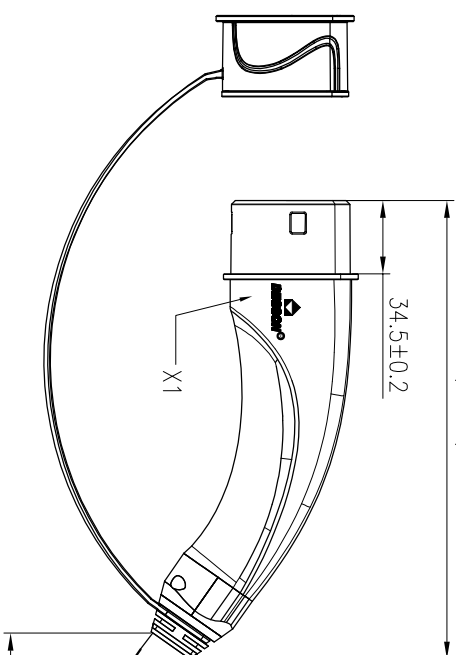
- L1 4mm<sup>2</sup> Brown
- N 4mm<sup>2</sup> Blue
- PE 4mm<sup>2</sup> Yellow/Green
- PP
- CP 0.5mm<sup>2</sup> Red



RC=2200±3%



(215.1)



(Straighten measurement)

公差/General tolerances(mm)		0.1/10
0	>3	~
3	6	~
6	10	~
10	18	~
18	30	~
30	50	~
50	80	~
80	120	~
120	180	~
180	250	~
250	315	~
315	400	~
400	500	~
500	>500	~
±0.12/±0.18/±0.22/±0.26/±0.31/±0.37/±0.57/±0.80/±0.93/±1.05/±1.15/±1.60/±2.20/±2.50		±2

X1

**Laser Printing Front Note:**

**DEGSON®**

**Laser Printing Back Note(Arial):**

MEAC-S-032A-V21-03-5.0M-10AH

32A 250V AC

IEC 62196-2:2022

IP67

20xxxxxx-xxxx

额定电压/Rated voltage/Current	250V AC/32A
绝缘电阻/Insulation resistance	>100MΩ,500V DC 1min
耐压/Withstanding voltage	L, N and PE ,2500V AC 1min
防护等级/Ingress protection	IP67
插接寿命/Insertion/Pullout times	10,000 Times
插接力量/Insertion/Pullout force	<100N
使用温度范围/Operating temperature(°C)	-30~+50
线材规格/Cable specification	3*4mm <sup>2</sup> +1*0.5mm <sup>2</sup> Black
标准/Reference standard	IEC 62196-2:2022
符合RoHS环保要求/Conform to RoHS	Yes

<b>DEGSON</b>		MATERIAL:	SURFACE/COLOR:
APPD:		MAT NO./REV:	D0-1
CHKD:			
DRAFT: Zhang	H 2023.02.07	DRAWING NO.	NAME MEAC-S-032A-V21-03-5.0M-10A(H)
A4		TYPE	CUSTOMER DRAWING
		DRAWING STATUS	SCALE
		SHEET	1/1

REV	ECN	DESCRIPTION	DRAFT	DATE