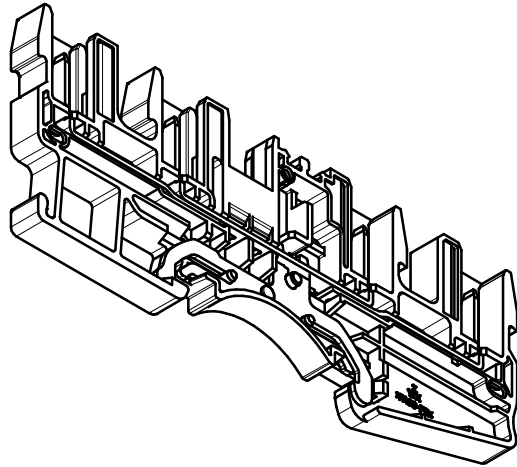
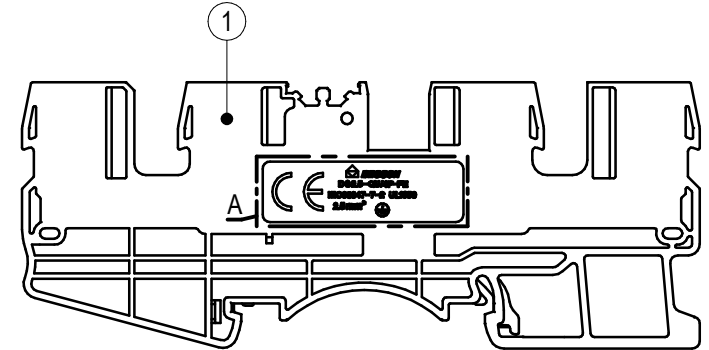
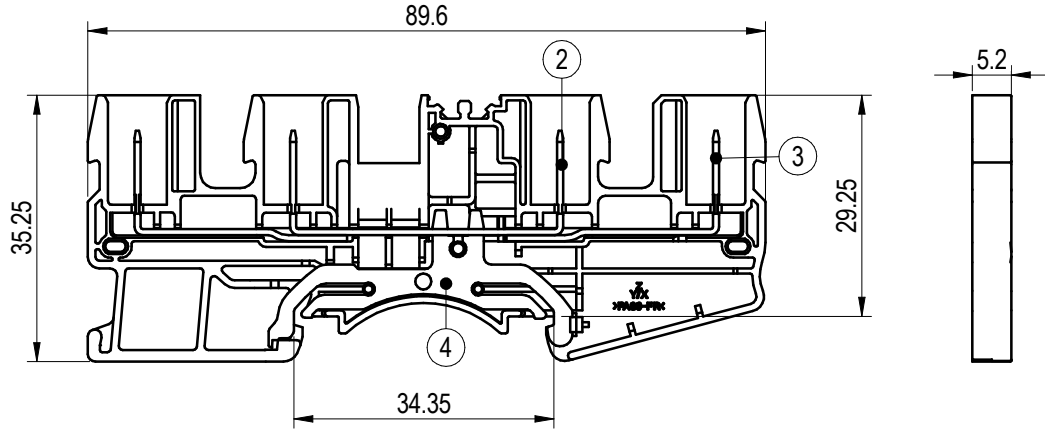
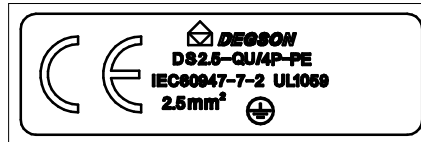


未注公差/General tolerances (mm)													0.1/10	
0	>3	>6	>10	>18	>30	>50	>80	>120	>180	>250	>315	>400		
~3	~6	~10	~18	~30	~50	~80	~120	~180	~250	~315	~400	~500	>500	
±0.12	±0.18	±0.22	±0.26	±0.31	±0.37	±0.57	±0.80	±0.93	±1.05	±1.15	±1.60	±2.20	±2.50	±2'



A
2:1



ITEM	NAME OF PART	MATERIAL	NOTES
4	Grounding	Copper alloy	Sn Plated
3	Current carrier 2	Copper	Sn Plated
2	Current carrier 1	Copper	Sn Plated
1	Housing	PA66	UL94V-0

UL 标准/UL Standard:	B	C	D
额定电压/电流/Rated Voltage(V)/Current(A)	/	/	/
IEC 标准/IEC Standard:			
过压类别/Overtoltage Category/污染等级/Pollution Degree	III/3	III/2	II/2
额定电压/电流/Rated Voltage(V)/Current(A)	/	/	/
额定脉冲电压(KV)/Rate Impulse Voltage(KV)	6	/	/
螺丝扭矩/Torque Tightening(N·m/Lb.in)	/	/	/
线径范围(硬线和软线)/Wire Range(rigid and flexible)(AWG mm²)	/	/	/
间距/Pitch(mm)/线数范围/ Poles	/	5.2/01P	/
剥线长度/Stripping length(mm)	/	/	/
使用温度范围/ Operating temperature(°C)	/	-40~+105	/
符合 RoHS 环保要求/ Conform to RoHS	/	Yes	/
标准颜色编号/ Standard color number: PANTONE/ RAL	/	/	/

DEGSON		MATERIAL:	SURFACE/COLOR:
APPD: Li GL	2024.01.05	MAT NO./REV:	MAT STATUS: 批量
CHKD: Ma EK	2023.12.28	NAME	
DRFT: Liu CB	2023.11.28	DS2.5-QU/4P-PE-01P-1C-00Z(H)	
DRAWING NO.	TYPE	DRAWING STATUS	SCALE
200110192	CUSTOMER DRAWING	已发布	1:1
SHEET		1/1	

REV	ECN	DESCRIPTION	DRFT	DATE
00		NEW DRAWING	Liu CB	2023.11.28

Transfer or duplication of this document as well as the utilization or communication of its contents are prohibited unless and until authorization is granted. Violations will be liable for compensation. All rights reserved for patent, utility model or design registrations. 除专利权明确标注外, 未经许可, 不得复制或传播, 否则, 追究法律责任。 德森集团保留所有权利。 任何复制或传播行为, 均须事先获得德森集团的书面授权。