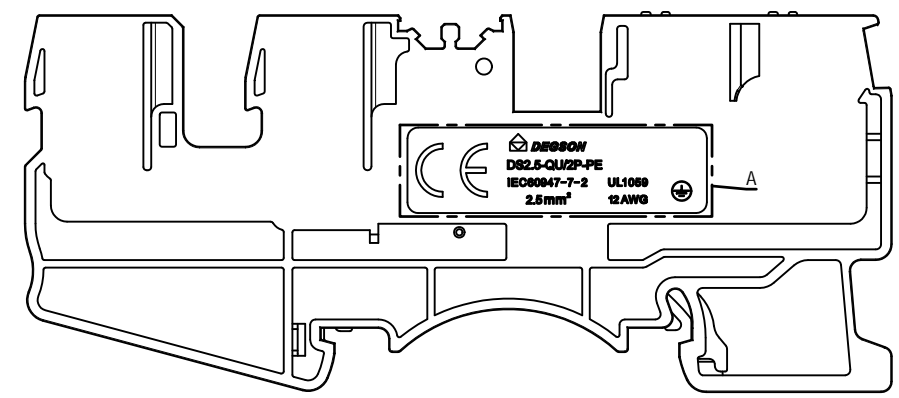
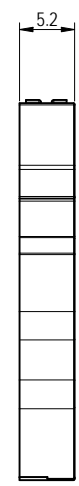
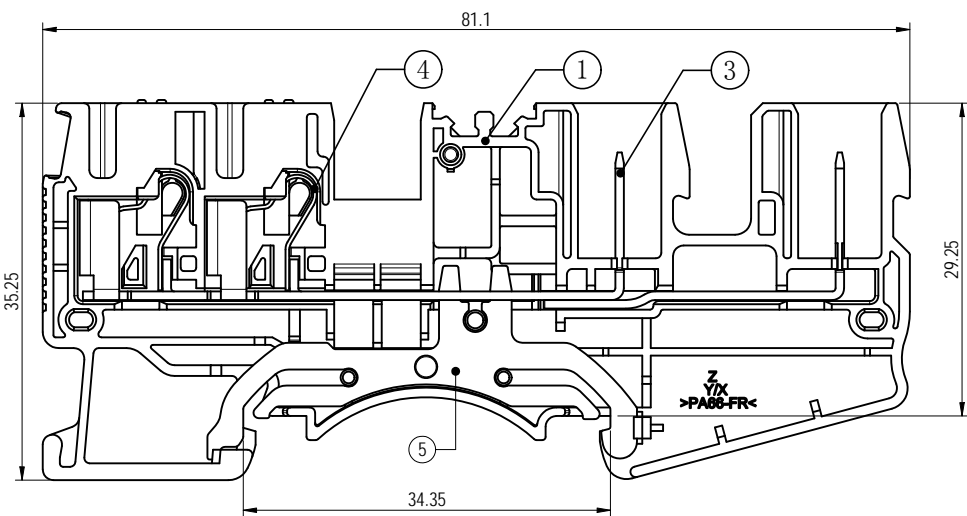
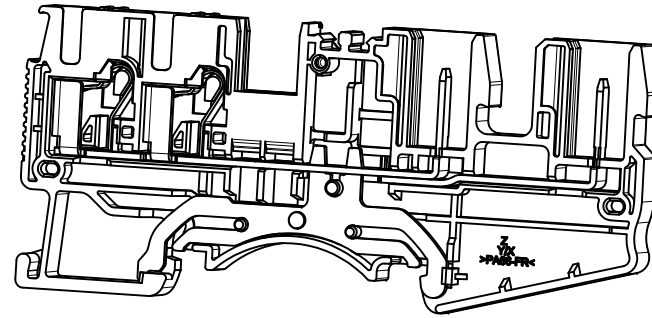


公差表/General tolerances (mm)										0.1/10				
0	>3	>6	>10	>18	>30	>50	>80	>120	>180		>250	>315	>400	>500
~	3	6	10	18	30	50	80	120	180	250	315	400	500	±2
±0.12	±0.18	±0.22	±0.26	±0.31	±0.37	±0.57	±0.80	±0.93	±1.05	±1.15	±1.60	±2.20	±2.50	
UL 标准/UL Standard										B	C	D		
额定电压/电压/Rated Voltage(V)/Current(A)										/	/	/		
IEC 标准/IEC Standard														
过压类别/Oversvoltage Category/污染等级/Pollution Degree										III/3	III/2	II/2		
额定电压/电压/Rated Voltage(V)/Current(A)										/	/	/		
额定脉冲电压 (KV)/Rate Impulse Voltage(KV)										6	/	/		
线径范围(硬线和软线)/Wire Range(rigid and flexible)(AWG/mm ²)										26- 12/ 0.2- 2.53/4(SCL)				
间距/Pitch(mm)/线数范围/Poles										5.20/1P				
剥线长度/Stripping length(mm)										10- 12				
使用温度范围/Operating temperature(°C)										-40- + 105				
符合RoHS环保要求/Conform to RoHS										Yes				



A
4:1



5	Grounding	Copper alloy	Sn Plated
4	Spring	Stainless steel	/
3	Current carrier	Copper	Sn Plated
2	Button	PA66+GF%	UL94V-0
1	Housing	PA66	UL94V-0
ITEM	NAME OF PART	MATERIAL	NOTES

DEGSON		MATERIAL:		SURFACE/COLOR:	
APPD: Li GL	2024.07.12	MAT NO./REV:	/	MAT STATUS:	批量
CHKD: Ma EK	2024.07.12	NAME			
DS2.5-QU/2P-PE-01P-1C-00Z(H)		DRAWING NO.	200107298	TYPE	CUSTOMER DRAWING
DRFT: Liu CB	2024.07.12	DRAWING STATUS	已发布	SCALE	1:1
REV	ECN	DESCRIPTION	DRFT	DATE	SHEET
00		NEW DRAWING	Liu CB	2024.07.12	1/1

Transfer or duplication of this document as well as the utilization of its contents in any form without the written permission of DEGSON is prohibited. All rights reserved for patent. 本文件及其内容之复制或在本文件内容之任何形式之利用，未经DEGSON书面许可，均被禁止。所有权利保留，特此声明。