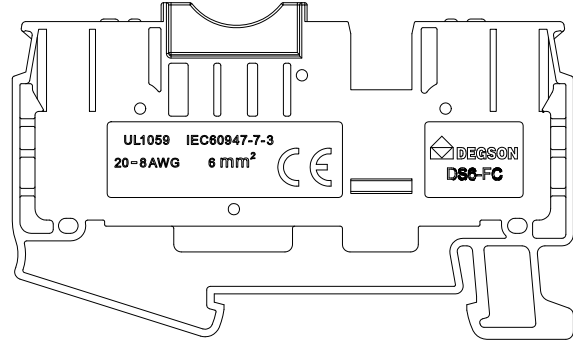
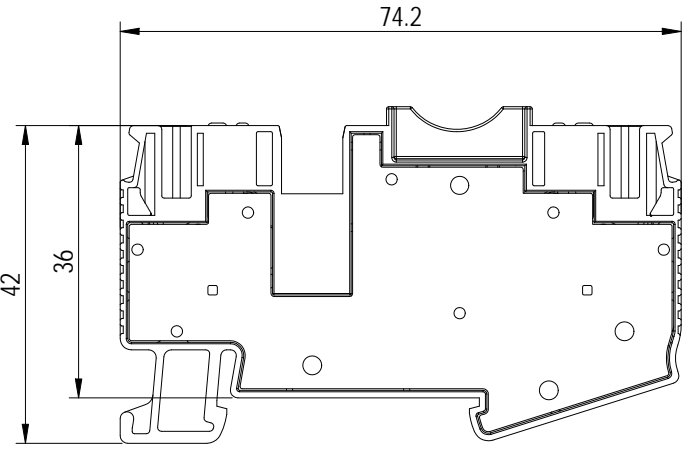
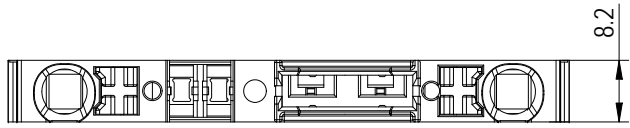
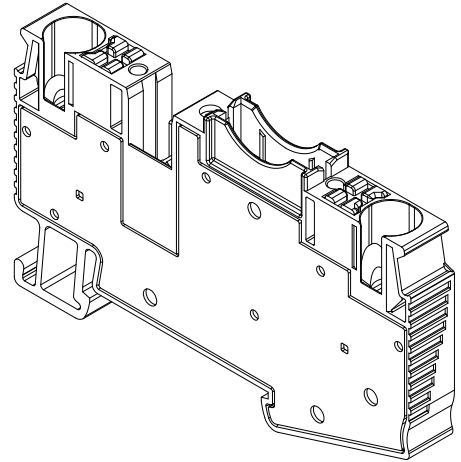
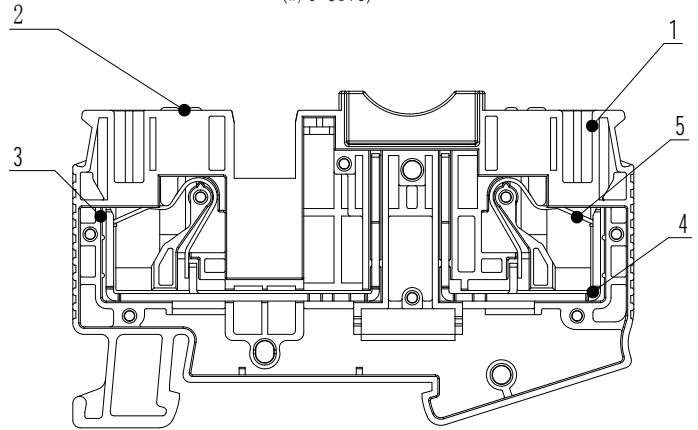


未注公差/General tolerances (mm)												0.1/10		
0 ~ 3	>3 ~ 6	>6 ~ 10	>10 ~ 18	>18 ~ 30	>30 ~ 50	>50 ~ 80	>80 ~ 120	>120 ~ 180	>180 ~ 250	>250 ~ 315	>315 ~ 400		>400 ~ 500	>500
±0.12	±0.18	±0.22	±0.26	±0.31	±0.37	±0.57	±0.80	±0.93	±1.05	±1.15	±1.60	±2.20	±2.50	±2'



A Direction
(W/O Cove)



ITEM	NAME OF PART	MATERIAL	NOTES
5	Spring	Stainless steel	/
4	short current carrier	Copper	Sn Plated
3	Long current carrier	Copper	Sn Plated
2	button	PA66+GF	UL94V-0
1	Housing	PA66	UL94V-0

UL 标准/UL Standard:	B	C	D
额定电压/电流/Rated Voltage(V)/Current(A)	300/25	300/25	/
IEC 标准/IEC Standard:			
过压类别/Overvoltage Category/污染等级/Pollution Degree	III/3	III/2	II/2
额定电压/电流/Rated Voltage(V)/Current(A)	500/25	/	/
额定脉冲电压(KV)/Rate Impulse Voltage(KV)	8	/	/
线径范围(硬线和软线)/Wire Range(rigid and flexible)(AWG/mm²)	20~ 8/0.5~ 6&10(sd)		
间距/Pitch(mm)/线数范围/Poles	8.2/01P		
剥线长度/Stripping length(mm)	10~ 12		
使用温度范围/Operating temperature(°C)	-40~ + 105		
符合 RoHS 环保要求/Conform to RoHS	Yes		

		MATERIAL:	SURFACE/COLOR:	
APPD: Li GL 2024.03.18		MAT NO./REV:	MAT STATUS: work	
CHKD: Ma EK 2024.03.18		NAME		
DRFT: Wang LX 2024.03.18		DS6-FC-01P-1Y-00Z (H)		
DRAWING NO.	TYPE	DRAWING STATUS	SCALE	SHEET
200285218	CUSTOMER DRAWING	work	1:1	1/1

REV	ECN	DESCRIPTION	DRFT	DATE
00		NEW DRAWING	Wang LX	2024.03.18

Transfer or duplication of this document as well as the utilization or communication of its contents are prohibited unless authorized in writing. All rights reserved for patent. 除专利等明确标注外，其他标注均归德格森公司所有。未经许可，不得复制或传播。 德格森公司保留所有权利。 除专利等明确标注外，其他标注均归德格森公司所有。 德格森公司保留所有权利。