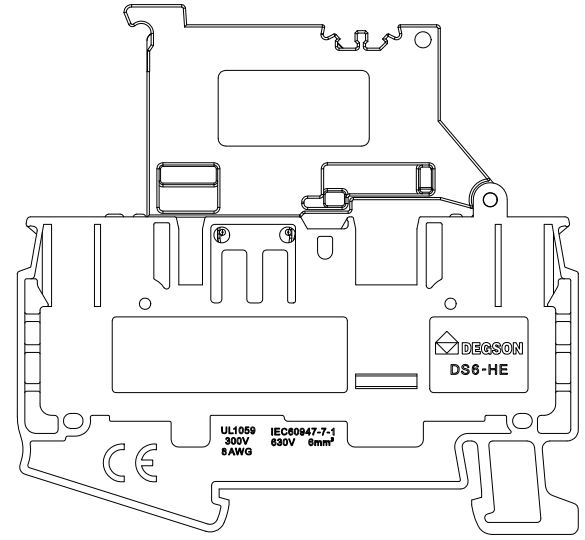
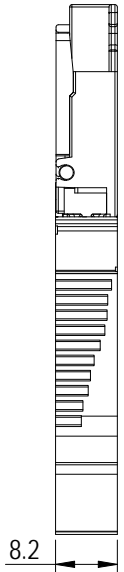
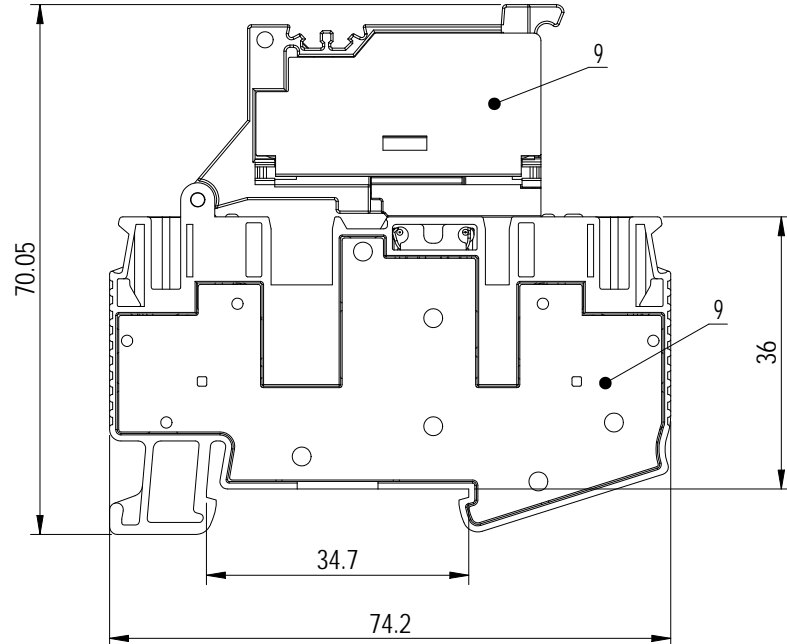
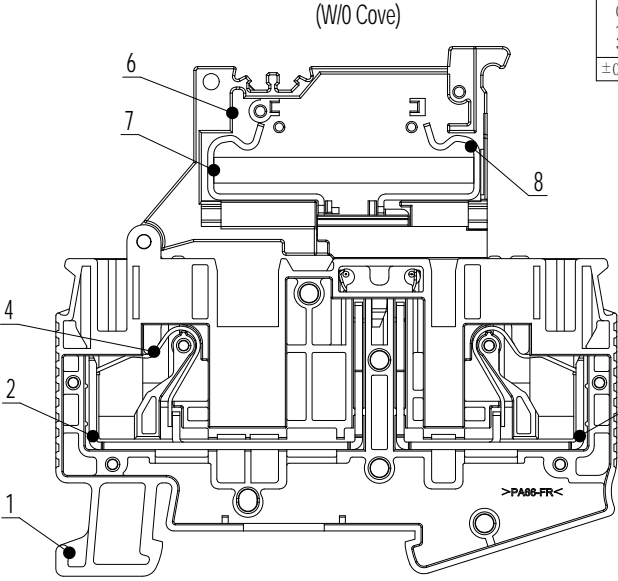
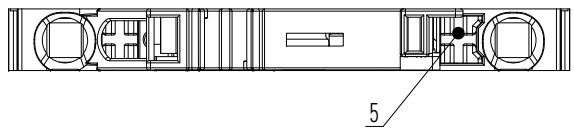


Transfer or duplication of this document as well as the utilization or communication of its content are prohibited unless authorized in writing by Degson. All rights reserved for patent. 除专利申明授权外，禁止复制或传播。 未经授权，禁止以任何形式或手段复制、传播、出售、出租、出借、分发、复制或传播。 公司保留对涉及发明、实用新型及外观设计之专利权。

FOR-1755 Rev. 2.1

ITEM	NAME OF PART	MATERIAL	NOTES
10	Cover2	PA66	UL94V-0
9	Cover1	PA66	UL94V-0
8	Current carrier 4	Copper alloy	Sn plated
7	Current carrier 3	Copper alloy	Sn plated
6	Fuse Housing	PA66	UL94V-0
5	Button	PA66+GF	UL94V-0
4	Spring	Stainless steel	/
3	Current carrier 2	Copper alloy	Sn plated
2	Current carrier 1	Copper alloy	Sn plated
1	Housing	PA66	UL94V-0



未注公差/General tolerances (mm)													0.1/10	
0	>3	>6	>10	>18	>30	>50	>80	>120	>180	>250	>315	>400		>500
±0.12	±0.18	±0.22	±0.26	±0.31	±0.37	±0.57	±0.80	±0.93	±1.05	±1.15	±1.60	±2.20	±2.50	±2'
UL 标准/UL Standard:										B	C	D		
额定电压/电流/Rated Voltage(V)/Current(A)										300/10	300/10	600/5		
IEC 标准/IEC Standard:														
过压类别/Overvoltage Category/污染等级/Pollution Degree										III/3	III/2	II/2		
额定电压/电流/Rated Voltage(V)/Current(A)										630/10	/	/	/	
额定脉冲电压(KV)/Rate Impulse Voltage(KV)										/	/	/	/	
线径范围(硬线和软线)/Wire Range(rigid and flexible) (AWG/mm ²)										20~8 / 0.5~6.10(Sol)				
间距/Pitch(mm)/线数范围/Poles										8.2/01P				
剥线长度/Stripping length(mm)										10~12				
使用温度范围/Operating temperature(°C)										-40~+105				
符合 RoHS 环保要求/Conform to RoHS										Yes				

			MATERIAL:		SURFACE/COLOR:	
			MAT NO./REV: /		MAT STATUS: 批量	
APPD: Li GL	2024.04.10	NAME				
CHKD: Ma EK	2024.04.10	DS6-HE-01P-1Y-00Z (H)				
DRFT: Zheng QG	2024.04.10					
DRAWING NO.	TYPE	DRAWING STATUS	SCALE	SHEET		
200276739	CUSTOMER DRAWING	work	1:1	1/1		

REV	ECN	DESCRIPTION	DRFT	DATE
00		Distribution of drawings	Zheng QG	2024.04.10

1 2 3 4 5 6