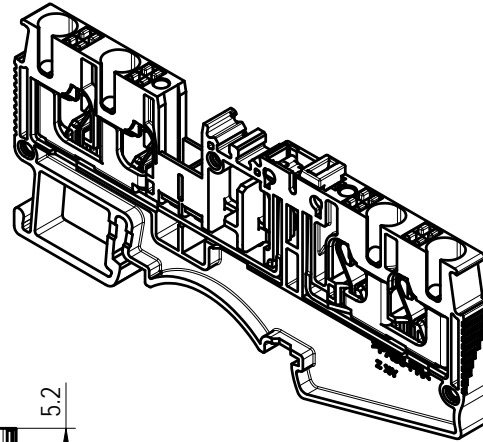


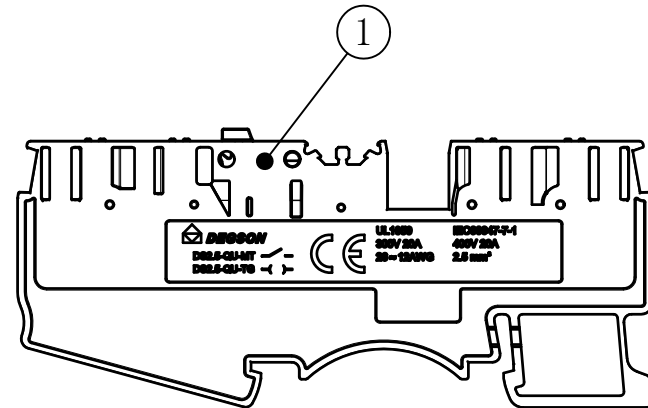
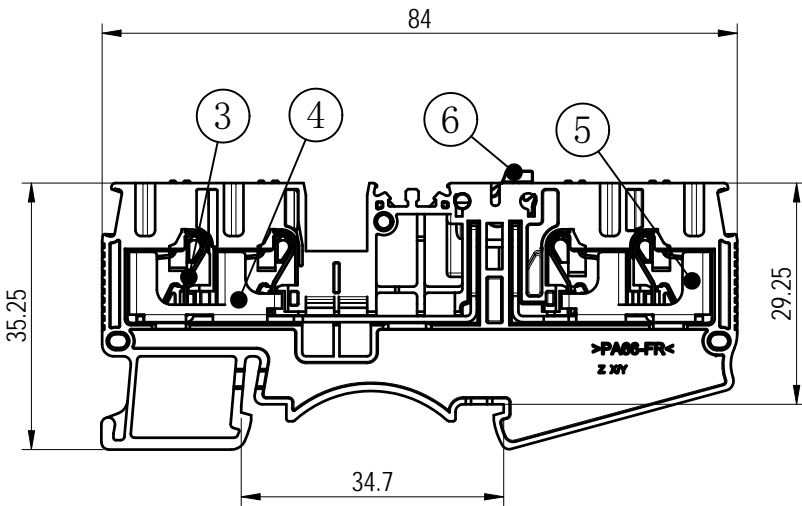
Transfer or duplication of this document as well as the utilization or communication of its contents are prohibited unless authorized in writing by Degson. All rights reserved for patent. 除专利号明确标注外，其他内容均受法律保护。未经授权，禁止复制或传播。 未经授权，禁止复制或传播。 未经授权，禁止复制或传播。

未注公差/General tolerances (mm)													0.1/10 ±2'
0	>3	>6	>10	>18	>30	>50	>80	>120	>180	>250	>315	>400	
~3	~6	~10	~18	~30	~50	~80	~120	~180	~250	~315	~400	~500	
±0.12	±0.18	±0.22	±0.26	±0.31	±0.37	±0.57	±0.80	±0.93	±1.05	±1.15	±1.60	±2.20	±2.50

UL 标准/UL Standard:	B	C	D
额定电压/电流/Rated Voltage(V)/Current(A)	300V/20	300V/20	600V/5
IEC 标准/IEC Standard:			
过压类别/Overtoltage Category/污染等级/Pollution Degree	III/3	III/2	II/2
额定电压/电流/Rated Voltage(V)/Current(A)	400V/20	/	/
额定脉冲电压(KV)/Rate Impulse Voltage(KV)	6	/	/
线径范围(硬线和软线)/Wire Range(rigid and flexible)(AWG mm <sup>2</sup> )	26~ 12/ 0.14~ 2.54(sol)		
间距/Pitch(mm)/线数范围/ Poles	5.2/N= 01P		
剥线长度/Stripping length(mm)	10~ 12		
使用温度范围/Operating temperature(°C)	-40~ + 105		
符合 RoHS 环保要求/Conform to RoHS	Yes		
标准颜色编号/Standard color number: PANTONE/ RAL	/		



6	Knife Switch	/	/
5	Current carrier 2	Copper	Sn Plated
4	Current carrier 1	Copper	Sn Plated
3	Spring	Stainless steel	/
2	Button	PA66+GF%	UL94V-0
1	Housing	PA66	UL94V-0
ITEM	NAME OF PART	MATERIAL	NOTES



DEGSON			MATERIAL:	SURFACE/COLOR:
APPD:	Li GL	2022.11.03	MAT NO./REV:	/
CHKD:	Ma EK	2022.11.01	MAT STATUS: 批量	
DRFT:	Zhao QX	2022.10.27	NAME	
			DS2.5-QU-MT-01P-1Y-00Z(H)	
DRAWING NO.	TYPE	DRAWING STATUS	SCALE	SHEET
200068961	CUSTOMER DRAWING	已发布	2:1	1/1

REV	ECN	DESCRIPTION	DRFT	DATE
00	/		Zhao QX	2022.10.27