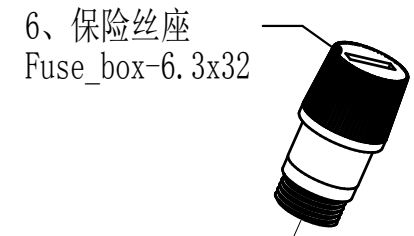
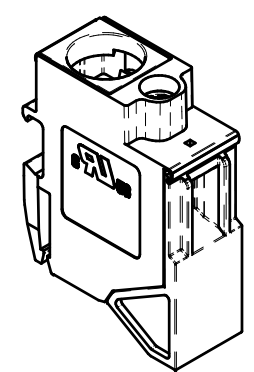
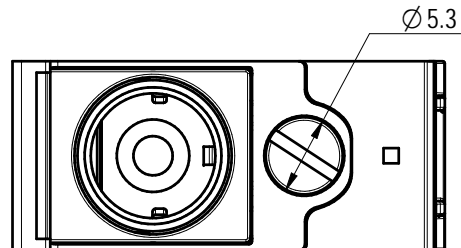
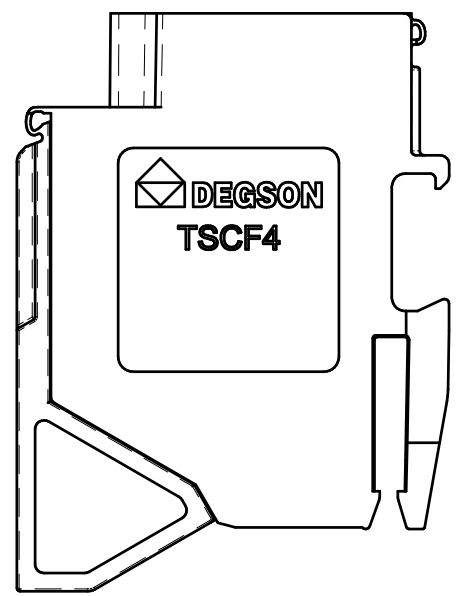
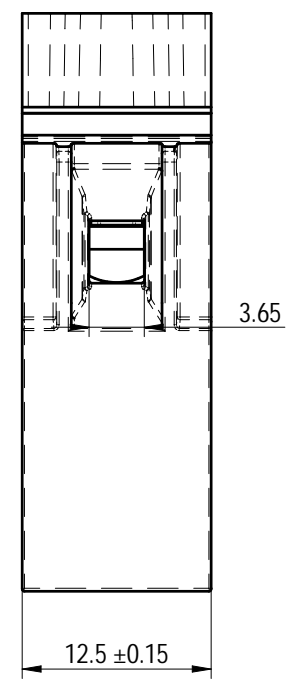
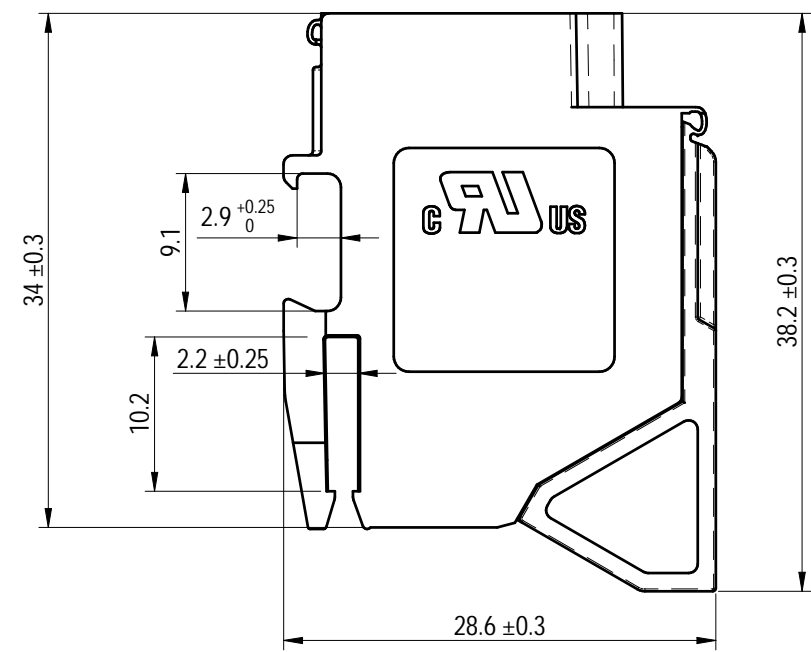
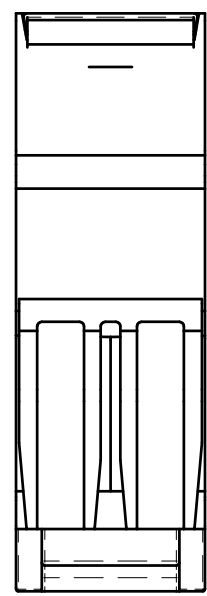


未注公差/General tolerances(mm)														
0	>3	>6	>10	>18	>30	>50	>80	>120	>180	>250	>315	>400	>500	0.1/10 ±2'
~3	~6	~10	~18	~30	~50	~80	~120	~180	~250	~315	~400	~500		
±0.12	±0.18	±0.22	±0.26	±0.31	±0.37	±0.57	±0.80	±0.93	±1.05	±1.15	±1.60	±2.20	±2.50	

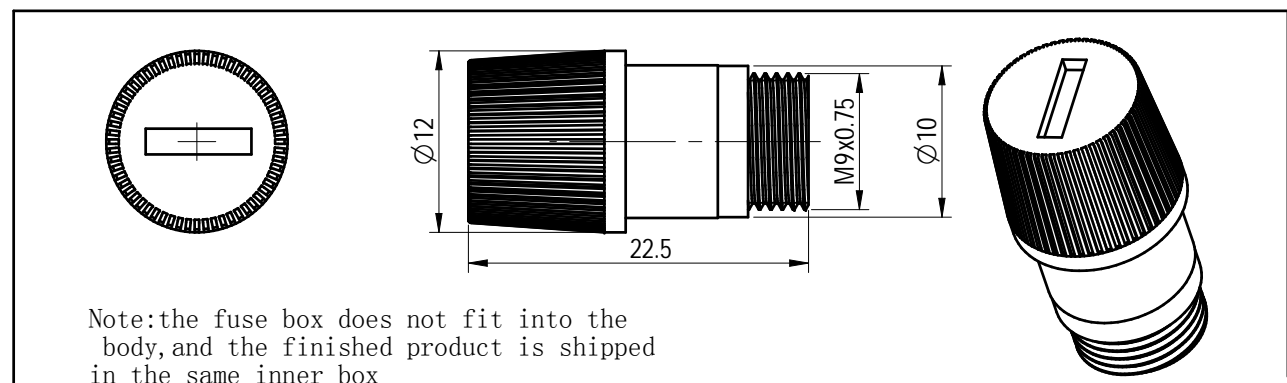


- 6、保险丝座
Fuse_box-6. 3x32
- 4、螺丝screwM3.5
- 3、载流体
Current carrier
- 5、方块
Cage
- 1、塑件housing
- 2、焊脚Pin header



6	Fuse box	/	M9
5	Cage	Copper alloy	M3.5/Ni Plated
4	Screw	Steel	M3.5/Zn Plated
3	Current carrier	Copper	Sn Plated
2	Pin header	Copper	Sn Plated
1	Housing	PA66	UL94V-0
ITEM	NAME OF PART	MATERIAL	NOTES

UL标准/UL Standard:		B	C	D
额定电压/电流/Rated Voltage(V)/Current(A)		600/30	600/30	/
保险丝电压/电流/Fuse Voltage(V)/Current(A)		660/30	660/30	/
IEC标准/IEC Standard:				
过压类别/Overvoltage Category/污染等级/Pollution Degree		III/3	III/2	II/2
额定电压/电流/Rated Voltage(V)/Current(A)		500/32	/	/
额定脉冲电压(KV)/Rate Impulse Voltage(KV)		8	/	/
保险丝电压/电流/Fuse Voltage(V)/Current(A)		250/10	/	/
保险丝脉冲电压(KV)/Fuse Impulse Voltage(KV)		4	/	/
螺丝扭矩/Torque Tightening(N·m/Lb.in)		M3.5, 0.8/7.08		
线径范围(硬线和软线)/Wire Range(rigid and flexible)(AWG/mm²)		22~10 / 0.2~4, 6str		
间距/Pitch(mm)/线数范围/Poles		12.5/N=01P		
剥线长度/Stripping length(mm)		9~11		
使用温度范围/Operating temperature(°C)		-40~+105		
符合RoHS环保要求/Conform to RoHS		Yes		



Note:the fuse box does not fit into the body, and the finished product is shipped in the same inner box
注：保险丝座不装入本体，和成品装入同一内盒出货

DEGSON		MATERIAL: SURFACE/COLOR:	
APPD: 蓝贵凡 2025.06.17		MAT NO./REV: / 00 MAT STATUS: 小批量	
CHKD: 姚零军 2025.06.17		NAME: TSCF4-S-01P-1Y-00Z (H)	
DRFT: 朱伟明 2025.06.17		DRAWING NO. 200302645	TYPE CUSTOMER DRAWING
REV	ECN	DESCRIPTION	DRAWING STATUS 已发布
00			SCALE 2:1
			SHEET 1/1

Transfer or duplication of this document as well as the utilization or communication of its contents are prohibited unless explicit authorization is granted. Violations will be liable for compensation. All rights reserved for patent, utility model or design registrations. 除专利等知识产权外，其他权利均归本公司所有。未经许可，不得复制或传播。本公司保留所有权利。