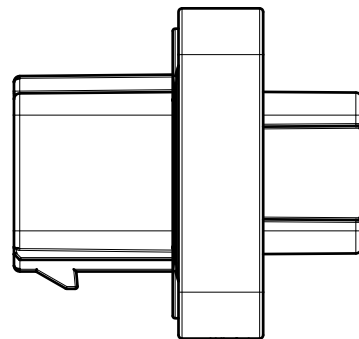
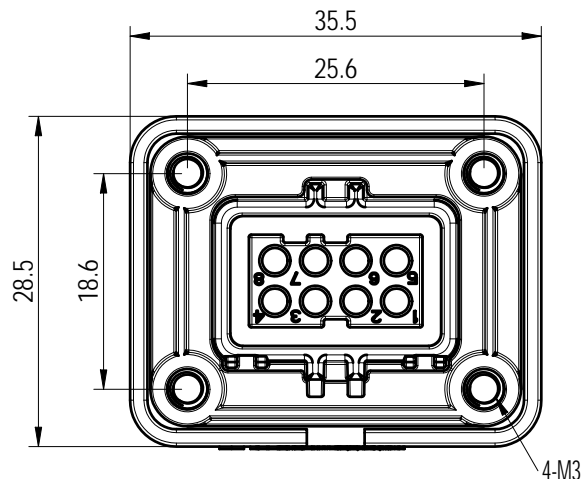
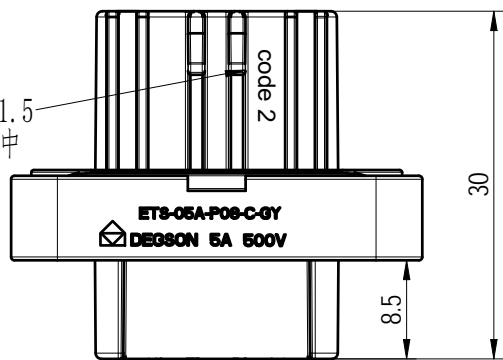


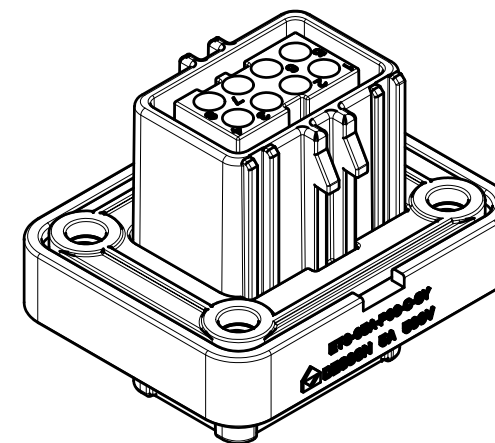
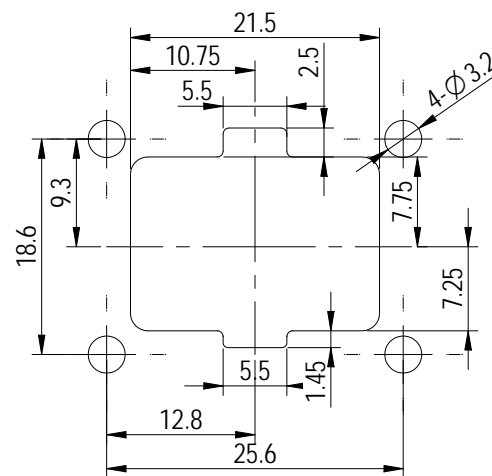
技术参数/Technical Characteristics	
额定电压/Rated Voltage	300V DC
额定电流/Rated Current	5A
绝缘电阻/Insulation resistance	≥200MΩ
插拔次数/Mechanical working life(mating cycles)	≥100
使用温度范围/Operating temperature(° C)	-40~105
耐电压/Withstanding voltage	2.5KV
接线方式/Terminal	Crimp
防护等级/Ingress protection	IP67 (Mated)
线径范围/Wire range (AWG/mm <sup>2</sup> )	22~18/0.3~0.8
线缆直径/Cable diameter (mm)	1.3~2.0
环保要求/Conform	Yes



激光打标  
Arial字体, 字高1.5  
打标位置左右居中



Panel Mounted



		MATERIAL:	SURFACE/COLOR:			
		MAT NO./REV: 28040000736-1 / 00	MAT STATUS: 小批量			
APPD:		NAME				
CHKD:		ETS-05A-P08-C-GY-04				
DRFT:		DRAWING NO.	TYPE	DRAWING STATUS	SCALE	SHEET
		200368400		work	1.5:1	1/1

REV	ECN	DESCRIPTION	DRFT	DATE
00				

Transfer or duplication of this document as well as the utilization or communication of its contents are prohibited unless explicit authorization is granted. Violations will be liable for compensation. All rights reserved for patent, utility model or design registrations. 除非易于明确授权, 否则禁止复制或传播。 未经授权, 复制或传播本文件内容, 侵权者将承担赔偿责任。 本公司保留对专利、实用新型和外观设计的所有权利。