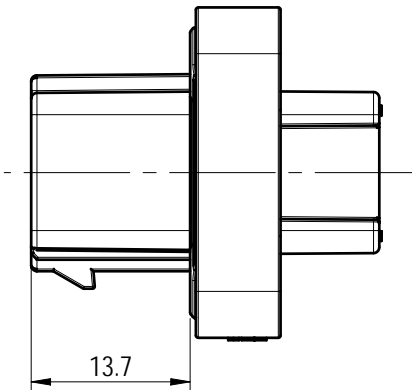
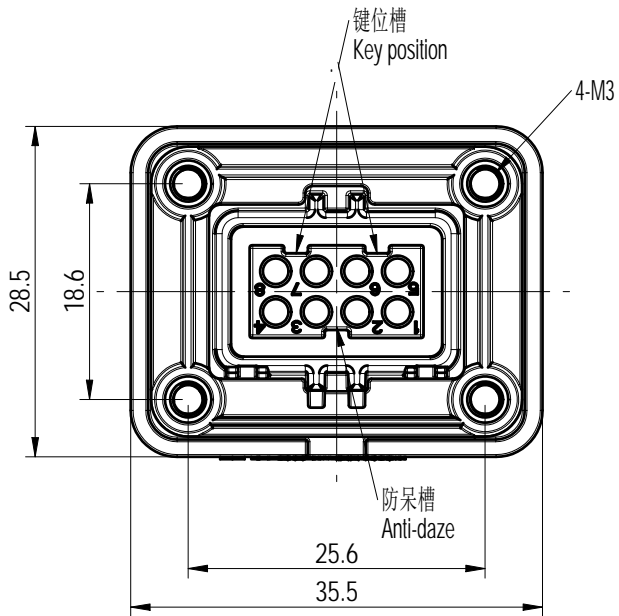
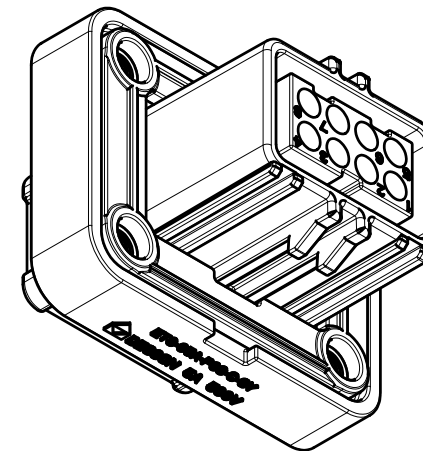
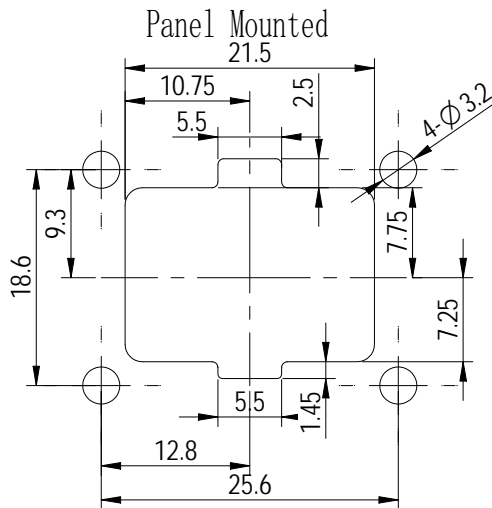
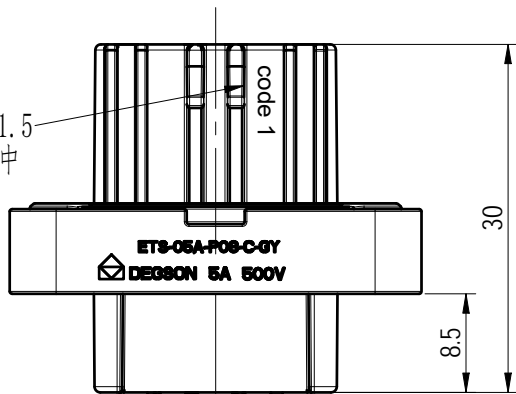


技术参数/Technical Characteristics	
额定电压/Rated Voltage	300V DC
额定电流/Rated Current	5A
绝缘电阻/Insulation resistance	≥200MΩ
插拔次数/Mechanical working life(mating cycles)	≥100
使用温度范围/Operating temperature(° C)	-40~105
耐电压/Withstanding voltage	2.5KV
接线方式/Terminal	Crimp
防护等级/Ingress protection	IP67 (Mated)
线径范围/Wire range(AWG/mm²)	22~18/0.3~0.8
线缆直径/Cable diameter(mm)	1.3~2.0
环保要求/Conform	Yes



01 激光打标

Arial字体, 字高1.5  
打标位置左右居中



		MATERIAL:	General tolerances(mm): ISO 2768-mK		
		MAT NO./REV:	28040000720 / 00		MAT STATUS: 小批量
APPD: 刘剑	2025.07.01	NAME			
CHKD: 于进海	2025.07.01	ETS-5A-P08-C-GY-03			
DRFT: 于进海	2025.07.01	DRAWING NO.	TYPE	DRAWING STATUS	SCALE
		200364571		已发布	1.5:1
REV	ECN	DESCRIPTION	DRFT	DATE	SHEET
00			于进海	2025.07.01	1/1