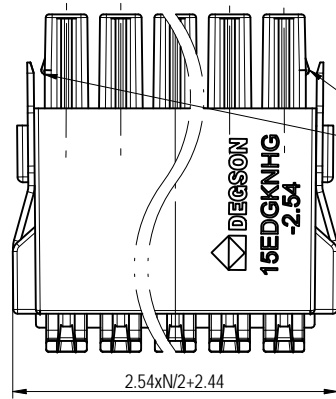
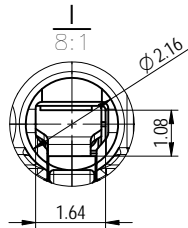


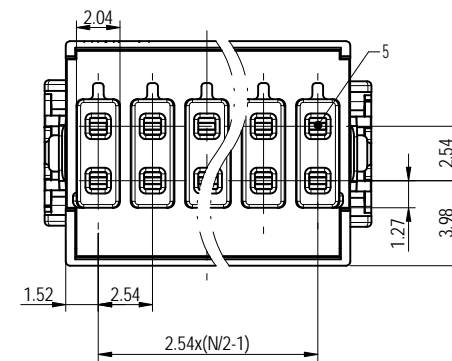
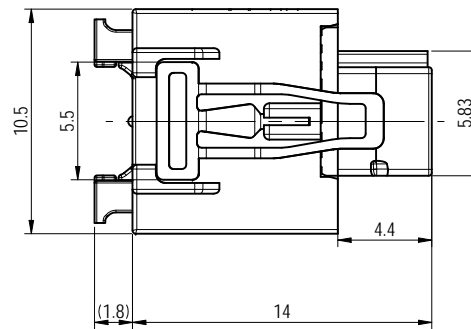
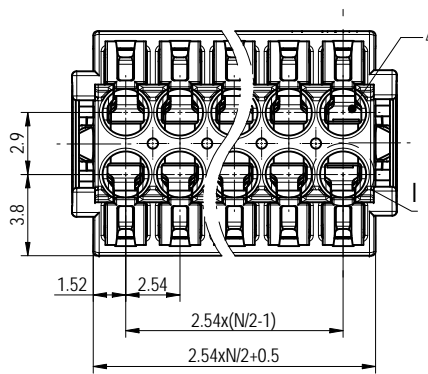
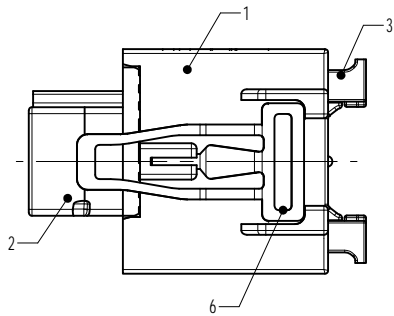
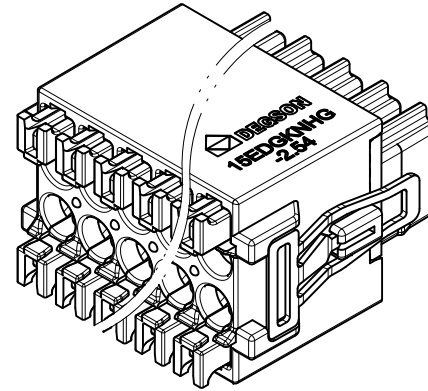
公差表 (General tolerances in mm)														
0	>3	>6	>10	>18	>30	>50	>80	>120	>180	>250	>315	>400	>500	0.1/10
±0.12	±0.18	±0.22	±0.26	±0.31	±0.37	±0.57	±0.80	±0.93	±1.05	±1.15	±1.60	±2.20	±2.50	±2

UL 标准/UL Standard:	B	C	D
额定电压/电流/Rated Voltage(V)/Current(A)	150/6	50/6	/

IEC 标准/IEC Standard:	III/3	III/2	II/2
过压类别/Over voltage Category/污染等级/Pollution Degree	III/3	III/2	II/2
额定电压/电流/Rated Voltage(V)/Current(A)	63/6	200/6	320/6
额定脉冲电压(KV)/Rate Impulse Voltage(KV)	2.5	2.5	2.5
线径范围(硬线和软线)/Wire Range(rigid and flexible)(AWG/mm ²)	28-20 / 0.14-0.5		
间距/Pitch(mm)/线数范围/Poles	2.54/N=04-48P		
剥线长度/Stripping length(mm)	7-8		
使用温度范围/Operating temperature(°C)	-30--+120		
符合RoHS环保要求/Conform to RoHS	Yes		



04-12P, There are clasps on both sides
14-48P, There are no clasps on either side



ITEM	NAME OF PART	MATERIAL	NOTES
6	Hook	Stainless steel	/
5	Clamp	Copper alloy	Sn Plated/AuAuro
4	Spring	Stainless steel	/
3	Button	PA66+GF	UL94V-0
2	Cover	Thermoplastic	UL94V-0
1	Housing	Thermoplastic	UL94V-0

DEGSON		MATERIAL:	SURFACE/COLOR:	
APPD: 袁耀志	2025.07.21	MAT NO./REV: - / 00	MAT STATUS: 样品	
CHKD: 周梅铮	2025.07.21	NAME: 15EDGKNHG-2.54-XXP-1Y-00Z(H)		
DRFT: 周梅铮	2025.07.21	DRAWING NO. 200046481	TYPE: CUSTOMER DRAWING	DRAWING STATUS: 已发布
REV	ECN	DESCRIPTION	DRFT	DATE
01			周梅铮	2025.07.21
A3		1:1		SHEET 1/1

Transfer or duplication of this document as well as the utilization of its contents without the written consent of DEGSON is prohibited. 未经授权复制或传播本文件及其内容，或在本文件内容的基础上进行二次开发，均属于侵权行为，公司将依法追究。 All rights reserved for patent.