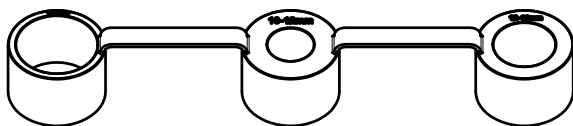
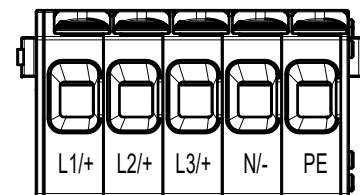
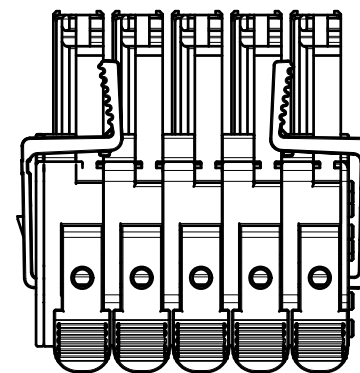
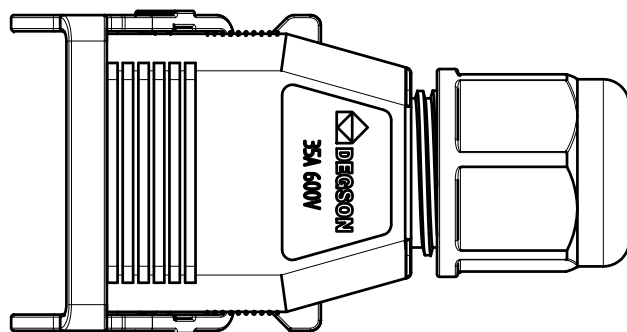
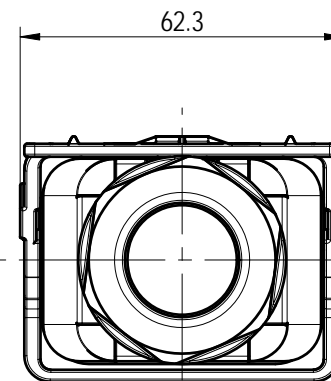
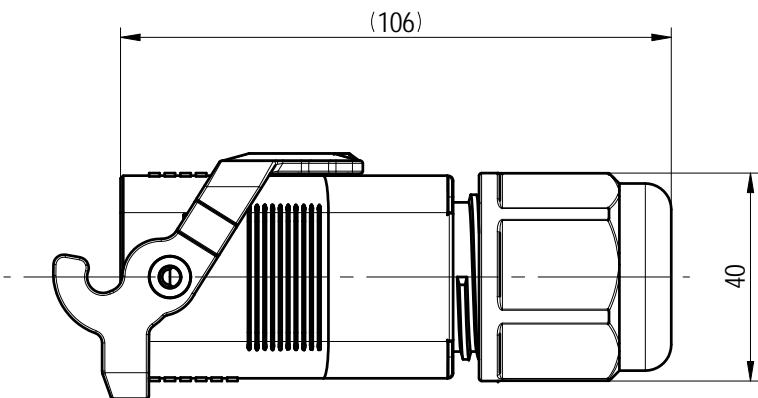


Transfer or duplication of this document as well as the utilization or communication of its contents are prohibited unless explicit authorization is granted. Violations will be liable for compensation. All rights reserved for patent.
utility model or designs registrations. 除非给予明确授权，否则禁止转让、复制、利用、交流本文件的内容。未经授权擅自复制或传播，侵犯者将承担赔偿责任。本公司保留对涉及发明、实用新型和外观设计的所有权利。



1pcs/Set

1pcs/Set

		MATERIAL:	General tolerances(mm): ISO 2768-mK		
		MAT NO./REV: 29030000082-1 / 01.01	MAT STATUS: 小批量		
APPD:		NAME			
CHKD:		PV-AC-P-05P-00Z(H)			
DRFT:		DRAWING NO.	TYPE	DRAWING STATUS	SCALE
		200337306	CUSTOMER DRAWING	work	2:1
					SHEET
					1/2

00	REV	ECN	DESCRIPTION	DRFT	DATE